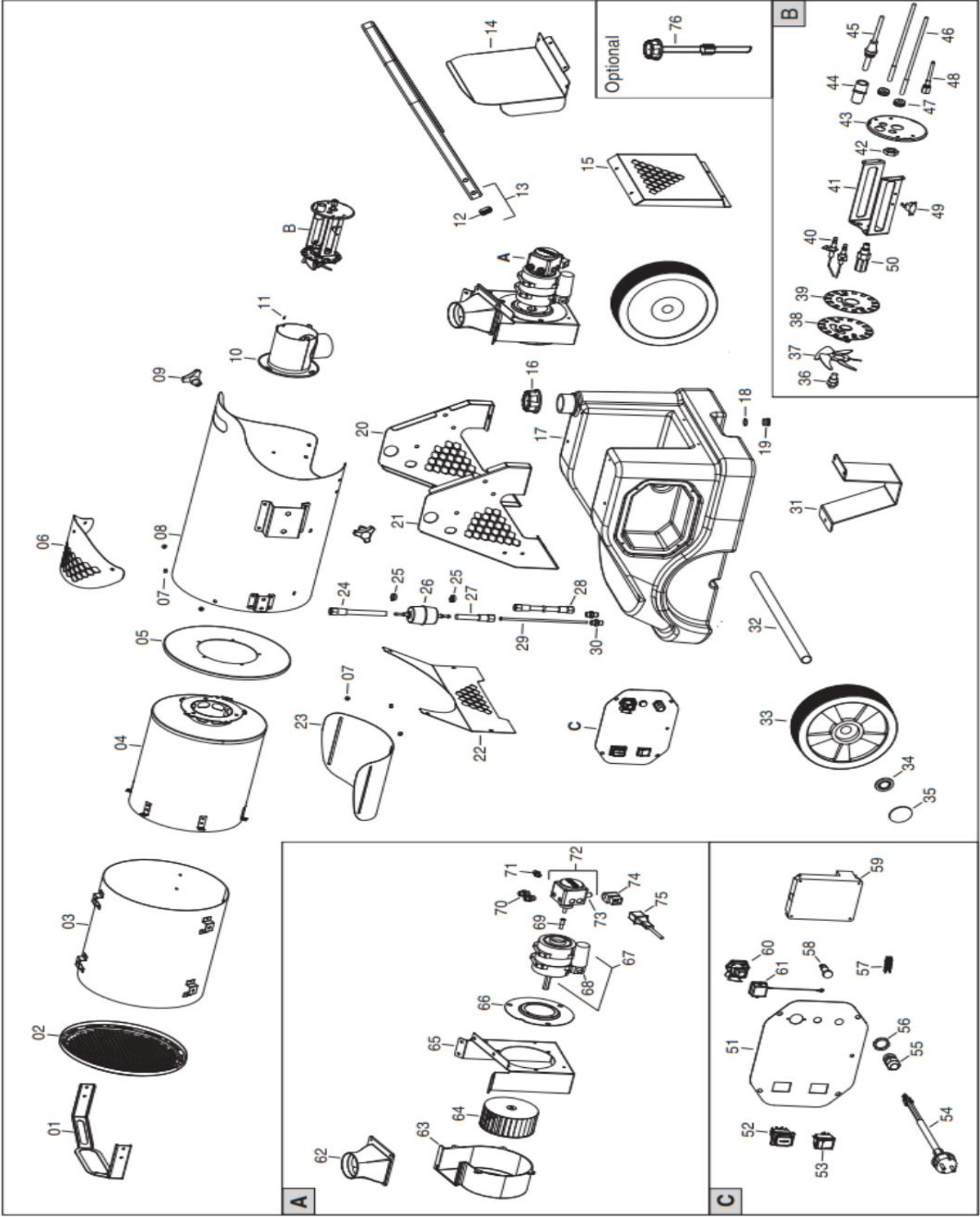


BM2 Fire Diesel Infrared Heater





PL 08/14			From S/N
POS	P/N	LEGENDA	DESCRIPTION
01	G11051	-	Protective panel
02	G11052	-	Front disc
03	G11053	-	Insulating panel
04	G11054	-	Combustion chamber
05	G11055	-	Rear disc
06	G11056-N500	-	Upper protective panel
07	M20820	Ø10 x Ø6 x 5	Spacer
08	G11057-3001	-	Body
09	C10714	M8x20-3L	Handwheel
10	G11058	-	Blast tube
11	E20671	6,3x0,8 mm	Terminal board
12	C30361	15x30	Pipe cap
13	P20304-9005	-	Handle
14	G11059-3001	-	Panel
15	G11060-3001	-	Panel
16	C30383	Ø 51,5	Tank cap
17	P50150	43 l	Fuel tank
18	C30375	Ø13,95 x 2,62	O-ring
19	I25020	M16x1,5	Drain cap
20	G11061-3001	DX	Panel
21	G11062-3001	SX	Panel
22	G11063-3001	-	Panel
23	G11064-N500	-	Lower protective panel
24	I40347	L = 360mm - 1/4" F	Flex diesel pipe
25	C30729	Ø12,5 - 14,5/6 CLIC120	Clip
26	I30414	Ø6 - Ø8	Filter
27	I40327	L = 180mm - 1/4" FF	Flex diesel pipe
28	I40348	L = 490mm - 1/4" FF	Flex diesel pipe
29	I30696	L = 220mm	Suction pipe
30	I30737	1/4" M - M12x1,75 M	Brass fitting
31	G11065-9005	-	Support
32	G11066-9005	Ø 25	Wheel axle
33	C10504	Ø 250 - Ø 26	Wheel
34	M20204	Ø 25	Elastic washer
35	C10513-R	Ø 200 - 250	Red wheel cover
36	T20373	DELAVAN 0,50 GPH 80° W	Nozzle
37	G11069	-	Air flap
38	G11068	-	Diffuser ring
39	G11070	-	Air adjustment disc
40	E10248	-	Ignition electrode
41	G11020	-	Electrodes support stirrup
42	I31034	M14	Brass lock nut
43	G11071	-	Burner support disc
POS	P/N	LEGENDA	DESCRIPTION
44	E50327	-	Photoresistor support
45	E50326	BERTELLI 17843 L = 1 m	Photocell
46	G02089	L = 750 mm	H.T. Cable connect.
47	C30368	Ø 7mm - Ø12 mm	Cable protection
48	I40339	L = 450mm 1/8"F - 1/8"F	Micropipe
49	E50109	-	Safety thermostat
50	I33007	-	Nozzle support
51	G11072-3001	-	El. control box panel
52	E10102-P	I - 0 - II	Switch
53	E10140	-	Reset button
54	E30448-1	L = 1,5m - SCHUKO	Power cord
55	E20964	PG 13,5	Cable fastener
56	E20965	PG 13,5	Cable fastener nut
57	E20319	-	Ground terminal board
58	E11033	230V	Lamp
59	E40141	OB1 ,0321- 230V	Flame control box

60	E20640	3P+T	Thermostat plug
61	E20665	-	Thermostat plug cover
62	C10331	-	Elbow connection
63	C10323	-	Scroll
64	T10254	AP 133x62 F12,7	Fan
65	G11073-3001	-	Fan support bracket
66	G11074-3001	-	Motor support bracket
67	E10767	110 W - 230 V / 50 Hz	Motor
68	E11243	4 μ F	Capacitor
69	E10698	SIMEL	Motor-pump coupling
70	I20104	1/4"M - 1/4"M	Iron fitting
71	I20115	1/8"M - 1/8"M	Iron fitting
72	T20456	SUNTEC CSV 30	Diesel pump
73	T20461	SUNTEC CSV	Solenoid valve body
74	T20458	SUNTEC CSV 30 - 230 V	Solenoid coil
75	T20442	L = 1000 mm	Solenoid valve cable
76	O2AC583	-	Cap with level control