

SPARE PARTS LIST

f o r

Infrared oil heater

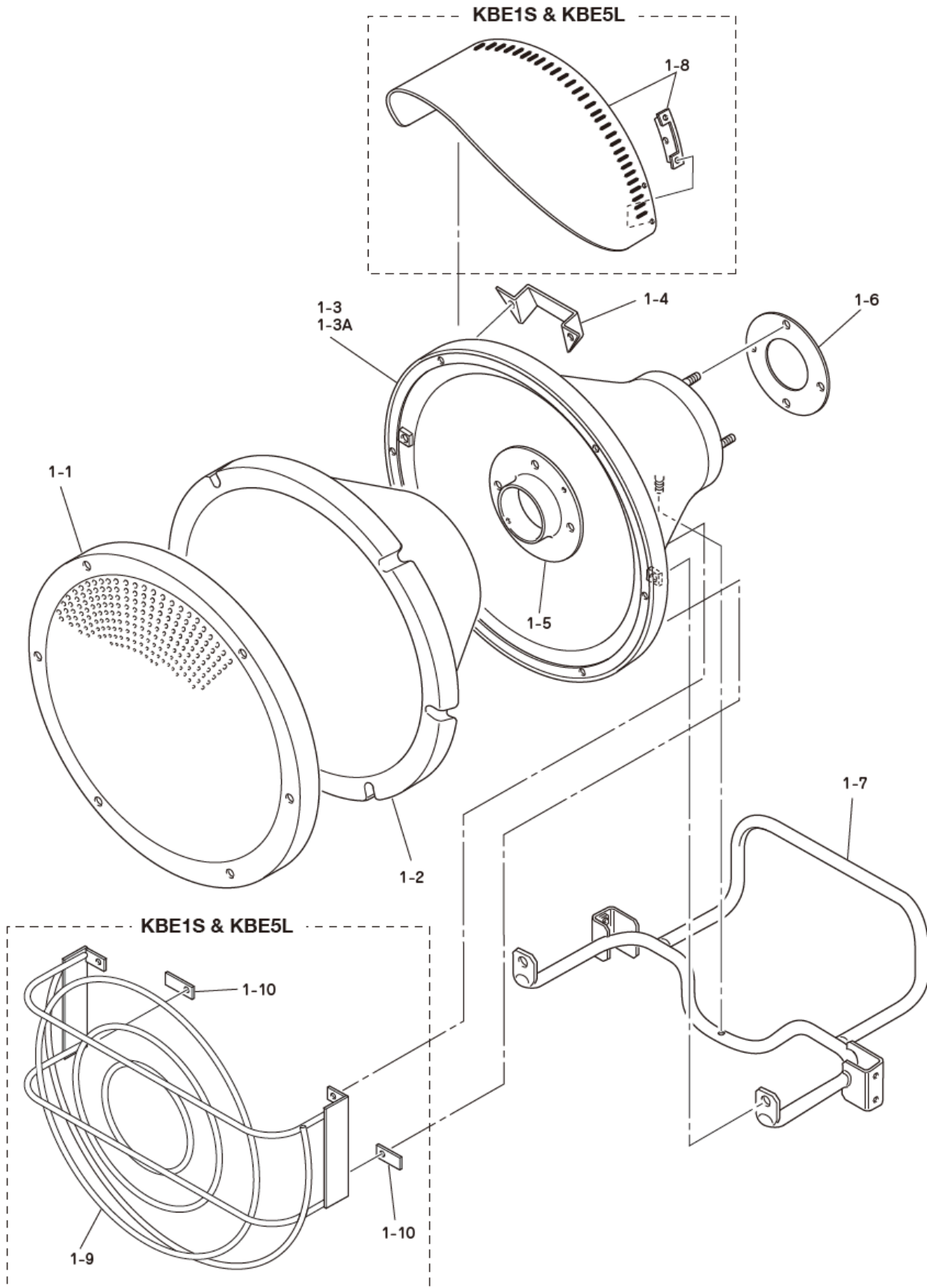
Model

VAL6

Type

- ◆ KBE5L for 120V 60Hz
- ◆ KBE1S for 230V 50Hz

Shizuoka Seiki Co., Ltd.

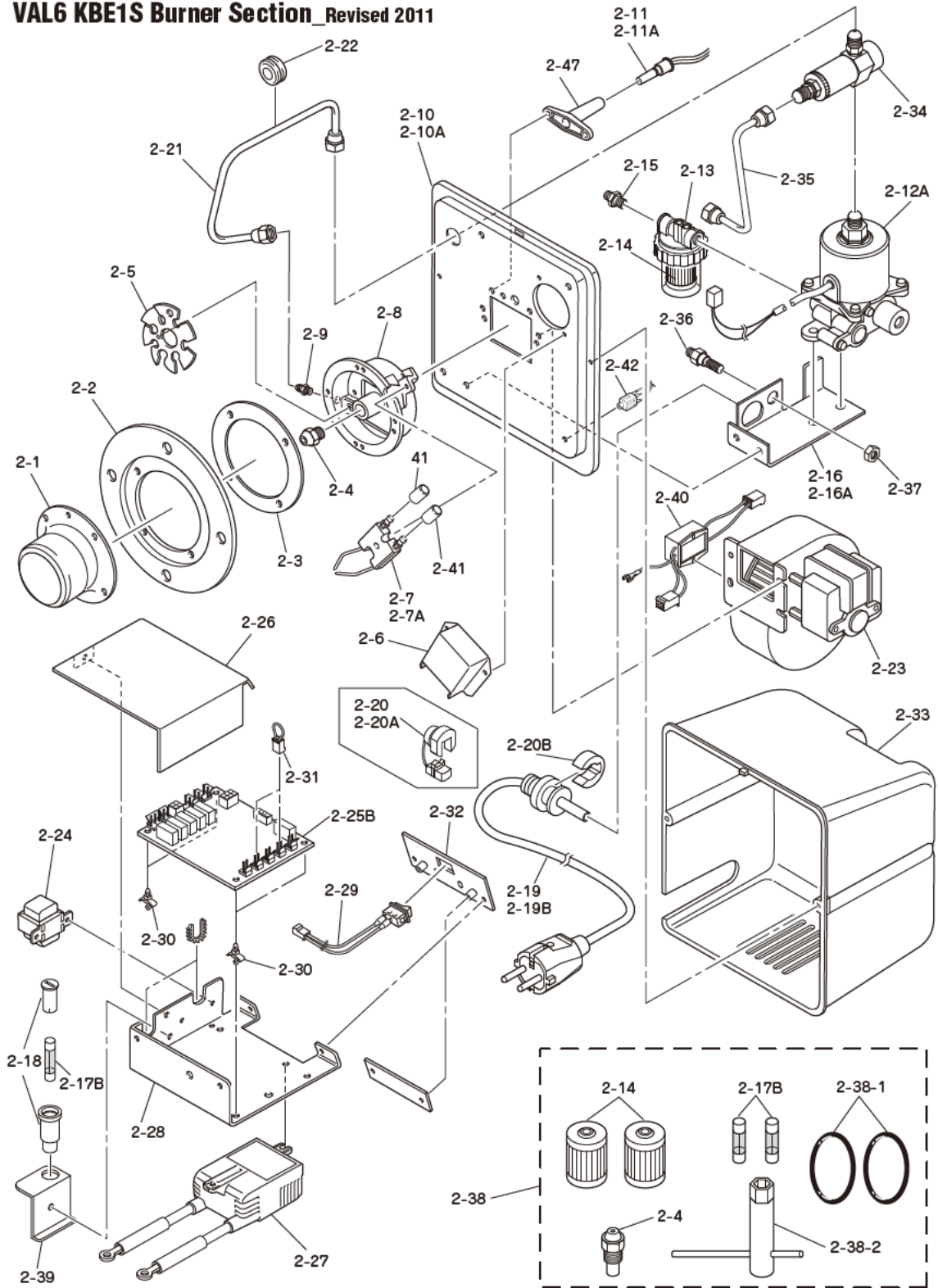


VAL6 KBE1S/5S/5L Radiation Section_ Revised 2011

Shizuoka Seiki Co.,Ltd.

Part No.	PART NAME < RADIATION UNIT >	CODE NO.	QTY /SET	KBE5L 2STEP	KBE1S	REMARKS	Optimum Volume
1-1	Radiation Disk	210220001-1	1	●	●		15pcs(62*62*50)
1-2	Conical Insulator	50298203001	1	●	●		5pcs(64*64*54)
1-3	Conical Housing	50298103003	1		N/A	till 2005/2006	
1-3A		50330103004	1		N/A	Changed to 50330180001	
		50330180001	1	●	●	include 1-4	
1-4	Caution Label Plate	50298203A05	1	●	●	with sticker (50300203002)	
1-5	Burner Fitting Piece	210220001-5	1	●	●		
1-6	Burner Packing	50298201016	1	●	●		
1-7	Burner Support	50300103002	1	●	●		
1-8	Visor	50330103002	1	●	●	used in units from 06/07 fixed to No.1-3A including visor fitting piece	
1-9	Protector Assembly	50330103003	1	●	●	used in units from 06/07 fixed to No.1-3A	
1-10	Retainer Plate	50330203006	2	●	●	used in units from 06/07 fixed to No.1-3A	

VAL6 KBE1S Burner Section_Revised 2011



Shizuoka Seiki Co.,Ltd.

□-mark means that the parts supply period is over and there are limited numbers of stock.

Part No.	PART NAME <BURNER >	CODE NO.	Q'TY /SET	KBE5L 2STEP	KBE1S		REMARKS	Optimum Volume
2-1	Burner Cone	50300201017	1	●	●			
2-2	Burner Flange	50300201008	1	●	●			
2-3	Diffuser Packing	50298201020	1	●	●			
2-4	Nozzle	50300201018	1		●		0.85G 60°	
2-4A		50335201038	1	●			0.75G60° from 2010/2011 F-04	
2-5	Whirl Vane	50300201007	1	●	●			
2-6	Electrode Cover	50298201008	1		●			
2-6A		50330201009	1	●			from 2010/2011 F-04	
2-7	Electrode	50262202010	1		□		till 2004/2005	
2-7A		50303201010	1	●	●		from 2005/2006, upward compatible for 50262202010	
2-8	Diffuser	50284202007	1	●	●			
2-9	Nozzle Nipple	50217202052	1	●	●			
2-10	Burner Base	50298201001	1		□		1S: till 2001/2002	
2-10A		50303201012	1		●		1S: from 2002/2003	
2-10B		50330201006	1	●			from 2010/2011 F-04	
2-11	Flame Monitor Complete	50262102008	1	●	●		with 2-47 Flame monitor holder E1S: till 2005/2006 5L:till 2015	
2-11A		50306101003	1	●	●		w/o Flame monitor holder E1S:from 2006/2007 5L:from 2016 Z-01 (This flame monitor is available for 5L produced from 2006 J-01.)	
2-12	Fuel Pump w/o Air Vent Valve	50303201A03	1		N/A		till 2005/2006 changed to 50303201A13	
2-12A	Fuel Pump w/o Air Vent Valve	50303201A13	1		●		from 2006/2007	12pcs(48*35*16)
	Fuel Pump with Air Vent Valve	50303201013	1		●			12pcs(48*35*22)
2-12C	Fuel Pump with Air Vent Valve	50330201005	1	●			from 2010/2011 F-04	12pcs(48*35*22)
2-13	Fuel Filter Complete	210210003-9	1	●	●		till 2004 and from 2007 including 210210003-10	
2-13A		50204201085	1	N/A	N/A		from 2004/2005, P-03 till 2006/2007	
2-14	Filter Element	21021003-10	1	●	●			600pcs(55*40*22)
2-14A		50204201082	1	N/A	N/A		from 2004/2005,P-03 till 2006/2007	
2-15	Filter Nipple	22031001-43	1	●	●			
2-16	Pump Bracket	50300201003	1		□		till 2006/2007	
2-16A		50300201034	1		●		from 2007/2008	
2-16B		50330201007	1	●			from 2010/2011 F-04	
2-17A	Fuse (3A)	50300201026	1	●			from 2003/2004,Q-03	
2-17B	Fuse (1.6A)	50291201006	1		●			
2-18	Fuse Holder	50291201004	1		●			
2-18A		50300201024	1	●			from 2003/2004,Q-03	
2-19	Power Cable Including Plug	50303201005	1		N/A		include plug, till 03/04	
2-19A		503032A1005	1		N/A		with mold plug, include 2-20A, from 2004/2005, changed to 503032B1005	
		503002A1027	1	●			length 500mm include 2-20B from 06/07, till 12/13 D-03	
2-19B		503032B1005	1		●		from 06/07, include 2-20B	
2-19C		50330201021	1	●			with 2-20B from 2012/2013 D-04	
2-20	Cable Stopper	502212A2028	1		□		till 2003/2004	
2-20A		50305201002	1		N/A		from 2004/2005 till 05/06	
2-20B		50205201017	1	●	●		from 2006/2007	
2-21	Fuel Outlet Line	50300201009	1		●			
2-21A		50330201012	1	●			from 2010/2011 F-04	
2-22	Pump Nozzle Grommet	21022003-25	1	●	●			
2-23	Fan Motor	50303201001	1		●			
2-23A		50330201013	1	●			from 2010/2011 F-04	
2-24	Step-down Transformer	50300201005	1	●				
		50291201002	1		●			

Shizuoka Seiki Co., Ltd.

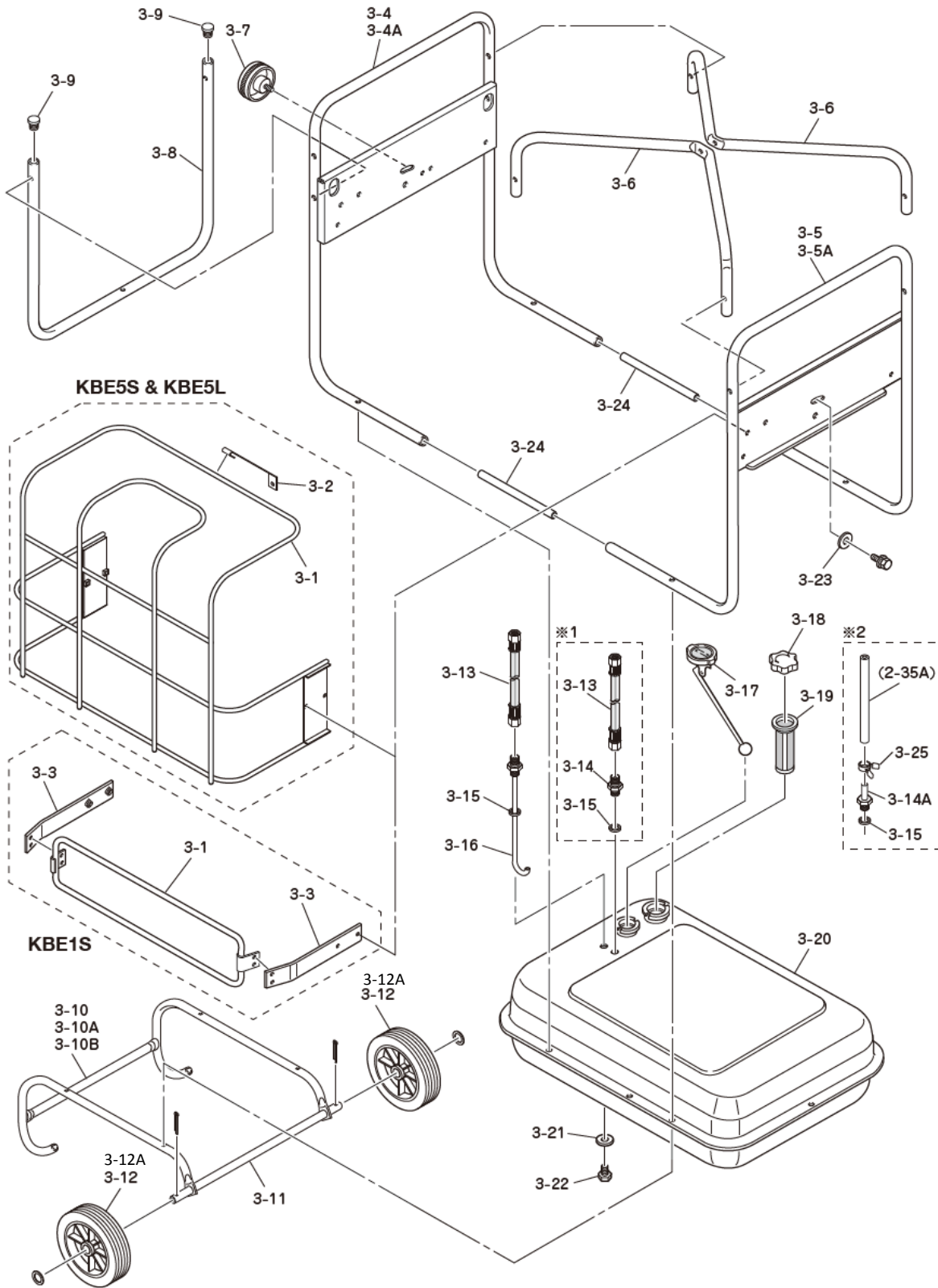
□-mark means that the parts supply period is over and there are limited numbers of stock.

Part No.	PART NAME < BURNER >	CODE NO.	Q'TY /SET	KBE5L 2STEP	KBE1S	REMARKS	Optimum Volume
2-25	Burner Control	50291201001	1		N/A	till 04/05 changed to 50321204005	
2-25A		50321204003	1		N/A	from 05/06 changed to 50321204005	
2-25B		50321204005	1		●	from 06/07	20pcs(60*38*26)
2-25D		50308201009	1	●		from 10/11 F-04 till 12/13 D-03	20pcs(60*38*26)
2-25E		50330201020	1	●		from 12/13 D-04 to 2016	20pcs(60*38*26)
2-25F		50330201026	1	●		from 2017 Y-01	
2-26	Burner Control Cover	50298201019	1		●		
2-26A		50330201010	1	●		from 2010/2011 F-04	
2-27	Ignition Transformer	50298201006	1	●		till 2018	20pcs(55*42*18)
		50303201002	1		●		20pcs(55*42*18)
2-27A		50346202023	1	●		from 2018/2019 V-08~	
2-28	Control Chassis	50300201001	1		●	from 2007/2008 I-01 include 2-39 Fuse holder bracket	
2-28A		50330201008	1	●			
2-29	Switch Assembly	50299104005	1	●	●	5L: till 2012/2013 D-03	
2-29B	Operation Switch	50254204006	1	●		from 2012/2013 D-04, without cord	
2-30	Control Support	50229201037	4	●	●		
2-31	Short Circuit Cord	50249203047	3		●	till 2001/02	
			2		●	from 2002/2003 till 2004/2005	
			1		●	from 2005/2006	
2-32	Face Plate	50300201002	1		N/A	till 2007, changed to 50303101006	
		50303101006	1		●	from 2008 with face label	
2-32A		50330101006	1	●			
2-33	Burner Cover	50330101002	1	●		from 2006/2007 black color	
		50303101003	1		N/A	black color till 2017 change to 503031010A3	
		503031010A3	1		●	from 2018	
2-34	Air Vent Valve	21062003-67	1		●		
2-35	Return Line	50300201014	1		●		
2-35A		50330201016	1	●		from 2010/2011 F-04	
2-36	Return Line Nipple	50300201015	1	●	●		
2-37	Nipple Fitting Nut	21300503-58	1	●	●		
2-38	Repair Set	50330180003	1	●			
		50303203-83	1		●		
2-38-1	O-Ring	21021003-13	1	●	●		
2-38-1A		50204201083	1		N/A	from 2004/2005 P-03, changed to 21021003-13	
2-38-2	Nozzle Spanner	21022003-68	1	●	●		
2-39	Fuse Holder Bracket	50303201004	1		□	Discontinued from 2007/2008 I-01	
2-39A		50330201014	1	●		from 2010/2011 F-04	
2-40	Noise Filter	50303201011	1		□	till 2005/2006	
2-41	Insulating Cap	50291201016	2		●		
2-42	Jack	50306201002	1		●	from 2002/2003	
2-43	Thermostat Cable	50300201029	1	●		from 2005/2006 till 2012/2013 D-03	
2-43A		50330201023	1	●		from 2012/2013 D-04	
2-44	Tip-over Switch	50298202015	1	●			
2-45	Tip-over Switch Bracket	50300201035	1	●			
2-46	Tip-over Switch Cord	50300201036	1	●		till 2012/2013 D-03	
2-46A		50330201024	1	●		from 2012/2013 D-04	
2-47	Flame Monitor Holder	50262202029	1	●	●		
2-48	Change-over Switch	50299104006	1	●		from 2010/2011 F-04, with cord	
2-48A		50254204007	1	●		from 2012/2013 D-04, without cord	
2-49	Wire Binding	50810201055	1	●		from 2010/2011 F-04	
2-50	Hose Clamp	50319202016	1	●		from 2010/2011 F-04 (same as 3-25)	
2-51	Strainer Heater Assembly (With Body & Ring)	50330101009	1	●		from 2010/2011 F-04, till D-03	
2-51A※		50330101011	1	●		from 2012/2013 D-04	
2-52※	Operation & Change-over Switch Cord	50330201025	1	●		from 2012/2013 D-04, without switches	

※Not Shown In Drawing

210235

Option	Strainer Heater (with Ring)	50330180002	1	●		5L 2-step: from F-04 till D-03	
		50330180004	1	●		5L 2-step: from D-04	
		50313180001	1		●		from 2010/2011 F-04



VAL6 KBE1S/5S/5L Tank Section_ Revised 2011

Shizuoka Seiki Co.,Ltd.

□-mark means that the parts supply period is over
and there are limited numbers of stock.

Part No.	PART NAME < FUEL TANK >	CODE NO.	Q'TY /SET	KBESL 2STEP	KBES		REMARKS	
3-1	Protector Assembly	50219103004	1		N/A		used in units till 2005/2006	
3-3	Protector Brackett	50298202012	2		□		used in units till 2005/2006	
3-4	Frame (R)	50300102004	1		●		from 2007/2008 sharp edged pipe,	
3-4A		50330102009	1	●			from 09/10 G-02 lot	
3-5	Frame (L)	50300102005	1		●		from 2007/2008 sharp edged pipe,	
3-5A		50330102010	1	●			from 09/10 G-02 lot	
3-6	Frame Connection Pipe	50303202006	2		●			
		50330202007	2	●				
3-7	Knob Bolt	50229202074	1	●	●			
3-8	Handle	50300202004	1		●			
		50330202008	1	●				
3-9	Pipe End Cap	50298202013	2		●			
		50330202009	2	●				
3-10	Tank Leg	50300102006	1		N/A		1S;till 2006/2007	
3-10A		50300102011	1		●		1S;from 2007/2008	
3-10B		50330102006	1	●				
3-11	Wheel Shaft	50300202008	1		●			
3-12	Wheel	50201204006	2	●	●		E1S & 5L for EU changed to 50330202024	
3-12A		50330202024	2	●	●		E1S & 5L for EU from 2020/21	
3-13	Fuel Hose	50300202009	2		●			
			1	●			from 2010/2011 F-04	
3-14	Return Nipple	50212205004	2		●			
3-14A	Flange Connection	50330202022	1	●			from 2010/2011 F-04	
3-15	Suction Packing	21650100207	2	●	●			
3-16	Suction Pipe Assembly	50300102008	1		●		including 3-14 & 3-15	
			50330102007	1	●			
3-17	Fuel Gauge	50300202018	1		●		till 2016/17	
			50278102003	1	●		till 2016/17 (Z lot)	
			50302203002	1		●		from 2017/18
			50298202019	1	●			from 2017/18 Y-01~
3-18	Tank Cap	50221103003	1	N/A	N/A		till 2015/16(A lot)	
			50335102008	1	●	●		from 2016 Z-01~
3-19	Tank Inlet Filter	220110002-8	1	-	●		5L discontinued from 2008/09 H-01	
3-20	Fuel Tank	50300102002	1		N/A		1S:with 3-17, 3-18, 3-19, 3-21 & 3-22	
			50330102002	1	N/A		5L: with 3-17, 3-18, 3-21 & 3-22 (Change to 50300102010 & 50330102011)	
			50300102010	1		N/A		replacement for 50300102002
			50303102002	1		●		
			50330102011	1	●			replacement for 50330102002
3-21	Drain Packing	50231204021	1	●	●		M16	
3-22	Drain Bolt	50231204020	1	●	●		M16	
3-23	Gasket	213005002-9	1	●	●		M8	
3-25	Hose Clamp	50319202016	1	●			from 2010/2011 F-04 (same as 2-50)	