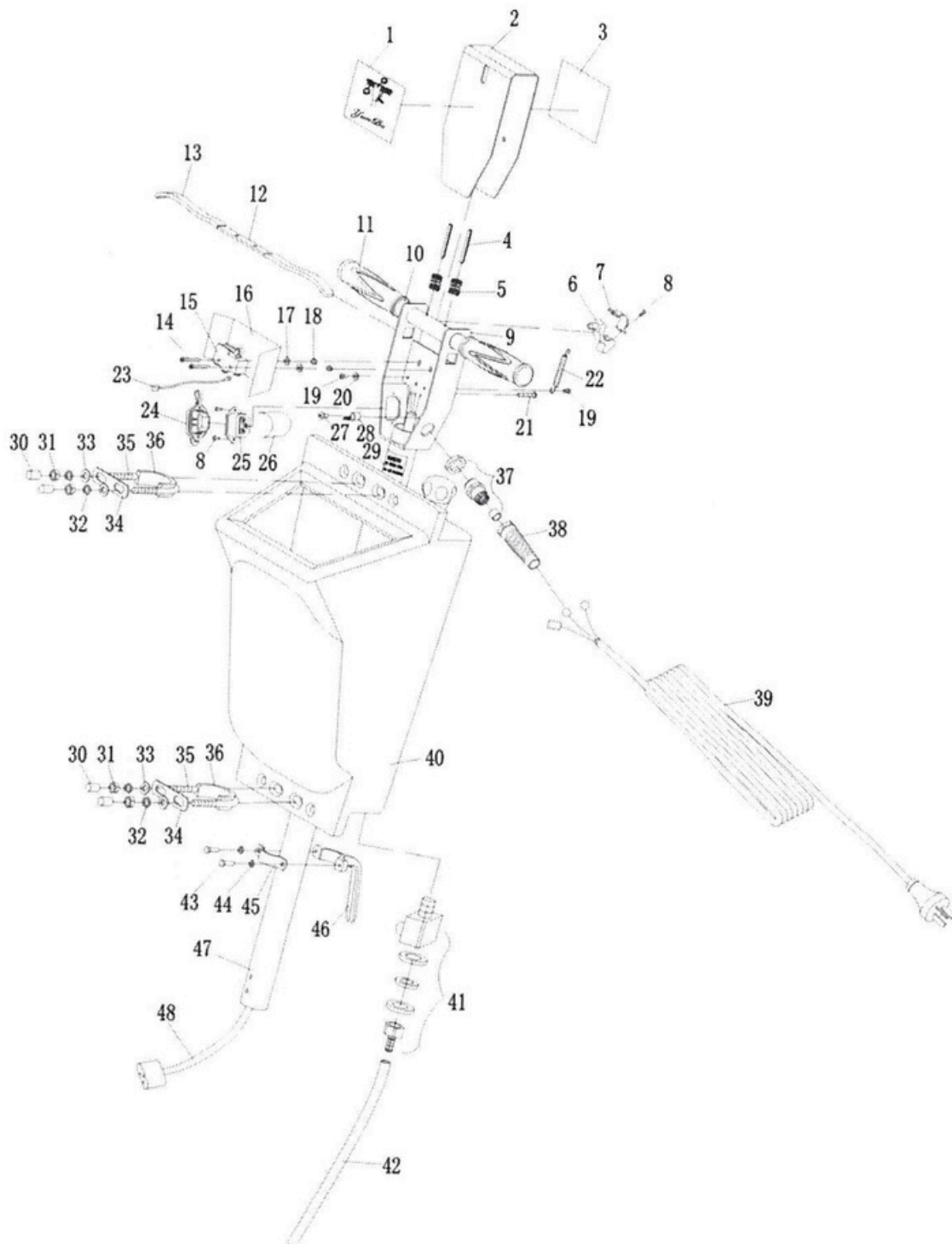
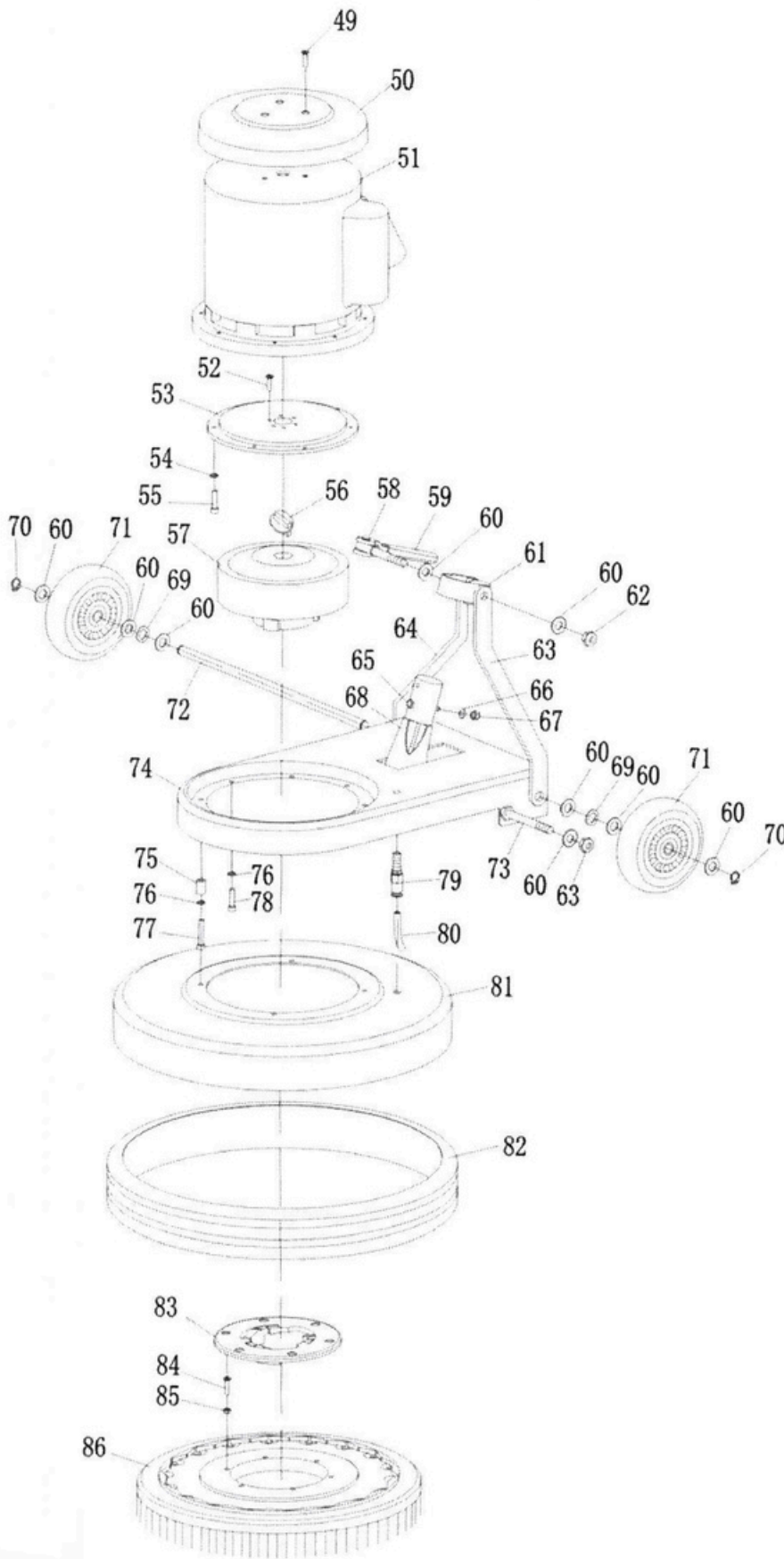


BF519 EXPLODED VIEW



1. brand paster
2. cover
3. instruction paster
4. pin
5. spring
6. safety catch
7. safety catch support
8. countersunk screw
9. handle shelf
10. tube of handle
11. handle
12. switch lever
13. insulator
14. round screw
15. star-up switch
16. insulator
17. washer
18. hex head cap nut
19. round screw
20. cinquefoil washer
21. round screw
22. cablecrodos
23. spring
24. socket cover
25. socket
26. insulator
27. pan screw
28. groove gasket
29. caution paster
30. plastic bolt
31. nut
32. spring gasket
33. washer
34. tank set dowel
35. U-shaped bolt
36. concave colloid
37. cable support
38. cable grommet
39. cable
40. deluxe tank
41. valve seat
42. hose
43. hex head cap screws
44. spring gasket
45. cable holder
46. cable support
47. wand
48. cable straight connector

BF519 EXPLODED VIEW



- 49. countersunk screw
- 50. motor housing
- 51. motor
- 52. socket head countersunk screw
- 53. connector plate
- 54. spring gasket
- 55. socket head screw
- 56. T connector piece
- 57. Moderator
- 58. locking bar
- 59. locking bar jacket
- 60. washer
- 61. locker
- 62. locknut
- 63. holder bar (left)
- 64. holder bar (right)
- 65. hex head cap screw
- 66. washer
- 67. nut
- 68. selector casing
- 69. washer
- 70. safety cap for axle
- 71. wheel
- 72. wheel axle
- 73. bolt
- 74. cover
- 75. base casting interlock
- 76. spring gasket
- 77. socket head screws
- 78. bolt
- 79. hose connector
- 80. hose
- 81. base casting
- 82. rubber buffer
- 83. drive hup plate
- 84. countersunk screw
- 85. nut
- 86. drive plate