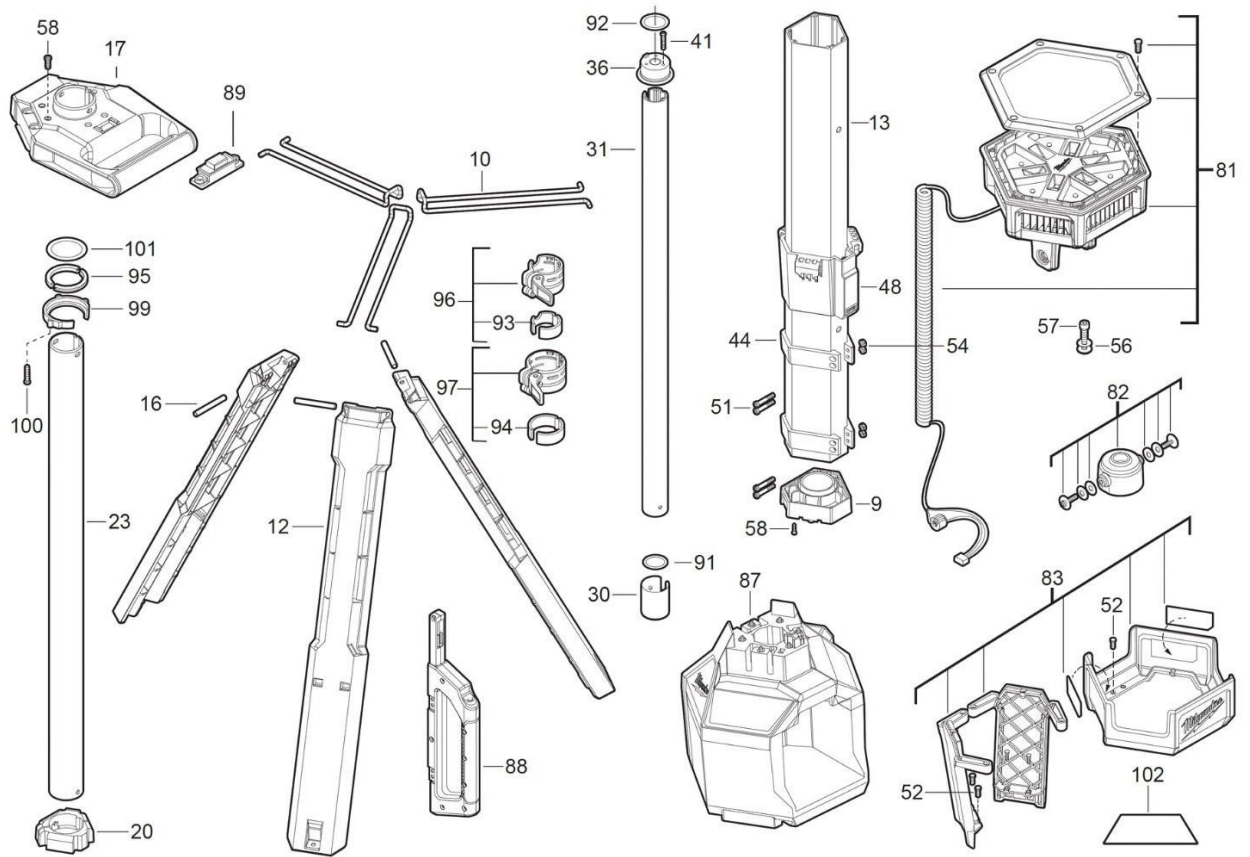


**MILWAUKEE M18SAL2-0 18V STAND  
LIGHT 8323051**





<b>Position</b>	<b>Quantity</b>	<b>Description</b>	<b>Part Number</b>
9	1	COVER	4931494920
12	3	FOOT	4931453480
13	1	COLUMN	4931494921
16	3	PIN	4931453481
17	1	HANDLE PIECE	4931494940
20	1	COVER	4931494922
23	1	TUBE	4931494923
30	1	BUSHING	4931494924
31	1	TUBE	4931494925
36	1	BRACKET	4931494926
41	3	SCREW	4931494927
48	1	BRACKET	4931494928
51	4	SCREW	4931494929
52	10	SCREW	4931494930
54	4	NUT	4931494931
56	2	WASHER	4931494932
57	1	SCREW	4931494933
58	12	SCREW	4931453488
81	1	INDICATOR LIGHT	4931494934
82	1	COVER	4931494935
83	1	COVER ASSY	4931494936
87	1	ELECTRONIC	4931494938
88	1	HANDLE	4931494939
89	1	SWITCH	4931495822
91	1	O-RING	4931454880
92	1	O-RING	4931494941
93	1	SLEEVE	4931494942
94	1	SLEEVE	4931494943
95	1	CLAMPING PIECE	4931495823
96	1	CLAMPING PIECE	4931461471
97	1	CLAMPING RING	4931461470
99	1	SLEEVE	4931494944
100	3	SCREW	4931494945
101	1	SPRING	4931494946
102	1	RATING PLATE	4931494947