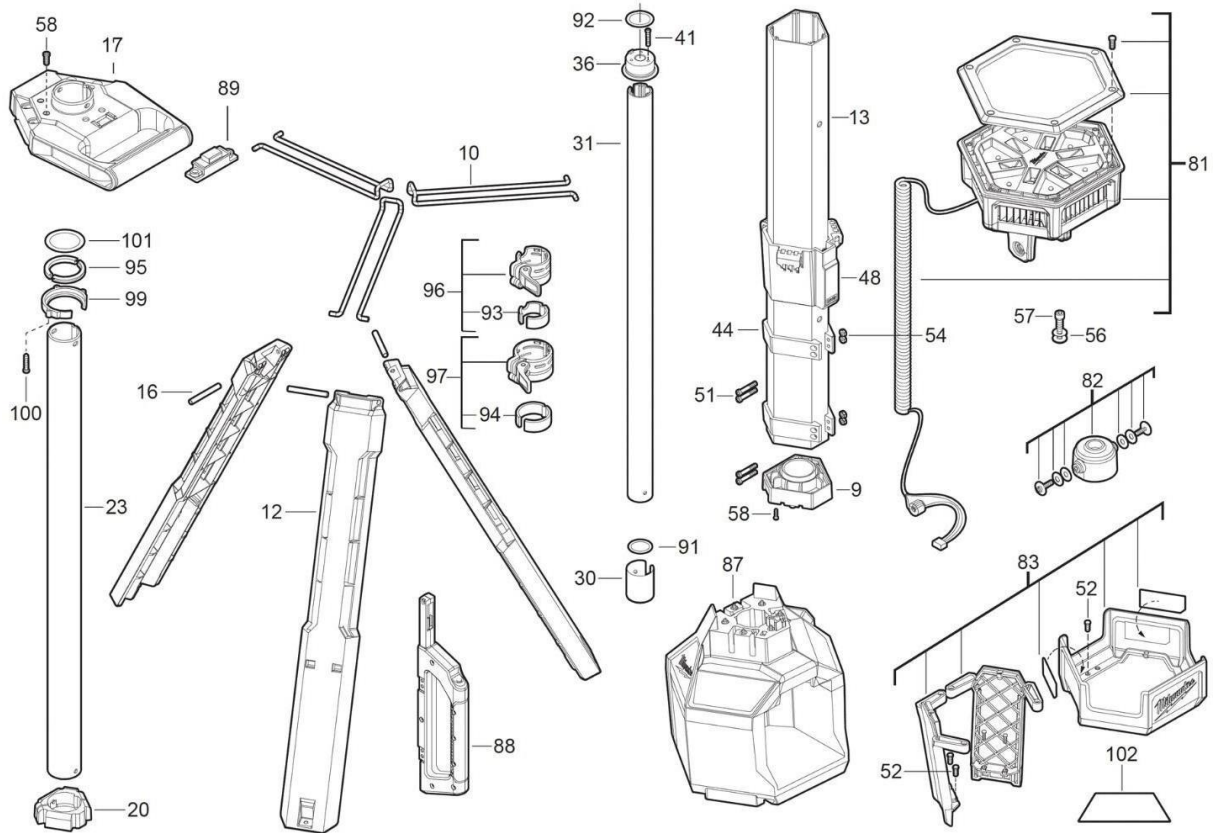


**MILWAUKEE M18SAL2-0 18V STAND
LIGHT 8323051**





| Position | Quantity | Description | Part Number |
|-----------------|-----------------|--------------------|--------------------|
| 9 | 1 | COVER | 4931494920 |
| 12 | 3 | FOOT | 4931453480 |
| 13 | 1 | COLUMN | 4931494921 |
| 16 | 3 | PIN | 4931453481 |
| 17 | 1 | HANDLE PIECE | 4931494940 |
| 20 | 1 | COVER | 4931494922 |
| 23 | 1 | TUBE | 4931494923 |
| 30 | 1 | BUSHING | 4931494924 |
| 31 | 1 | TUBE | 4931494925 |
| 36 | 1 | BRACKET | 4931494926 |
| 41 | 3 | SCREW | 4931494927 |
| 48 | 1 | BRACKET | 4931494928 |
| 51 | 4 | SCREW | 4931494929 |
| 52 | 10 | SCREW | 4931494930 |
| 54 | 4 | NUT | 4931494931 |
| 56 | 2 | WASHER | 4931494932 |
| 57 | 1 | SCREW | 4931494933 |
| 58 | 12 | SCREW | 4931453488 |
| 81 | 1 | INDICATOR LIGHT | 4933492486 |
| 82 | 1 | COVER | 4931494935 |
| 83 | 1 | COVER ASSY | 4931494936 |
| 87 | 1 | ELECTRONIC | 4931494938 |
| 88 | 1 | HANDLE | 4931494939 |
| 89 | 1 | SWITCH | 4931495822 |
| 91 | 1 | O-RING | 4931454880 |
| 92 | 1 | O-RING | 4931494941 |
| 93 | 1 | SLEEVE | 4931494942 |
| 94 | 1 | SLEEVE | 4931494943 |
| 95 | 1 | CLAMPING PIECE | 4931495823 |
| 96 | 1 | CLAMPING PIECE | 4931461471 |
| 97 | 1 | CLAMPING RING | 4931461470 |
| 99 | 1 | SLEEVE | 4931494944 |
| 100 | 3 | SCREW | 4931494945 |
| 101 | 1 | SPRING | 4931494946 |
| 102 | 1 | RATING PLATE | 4931494947 |