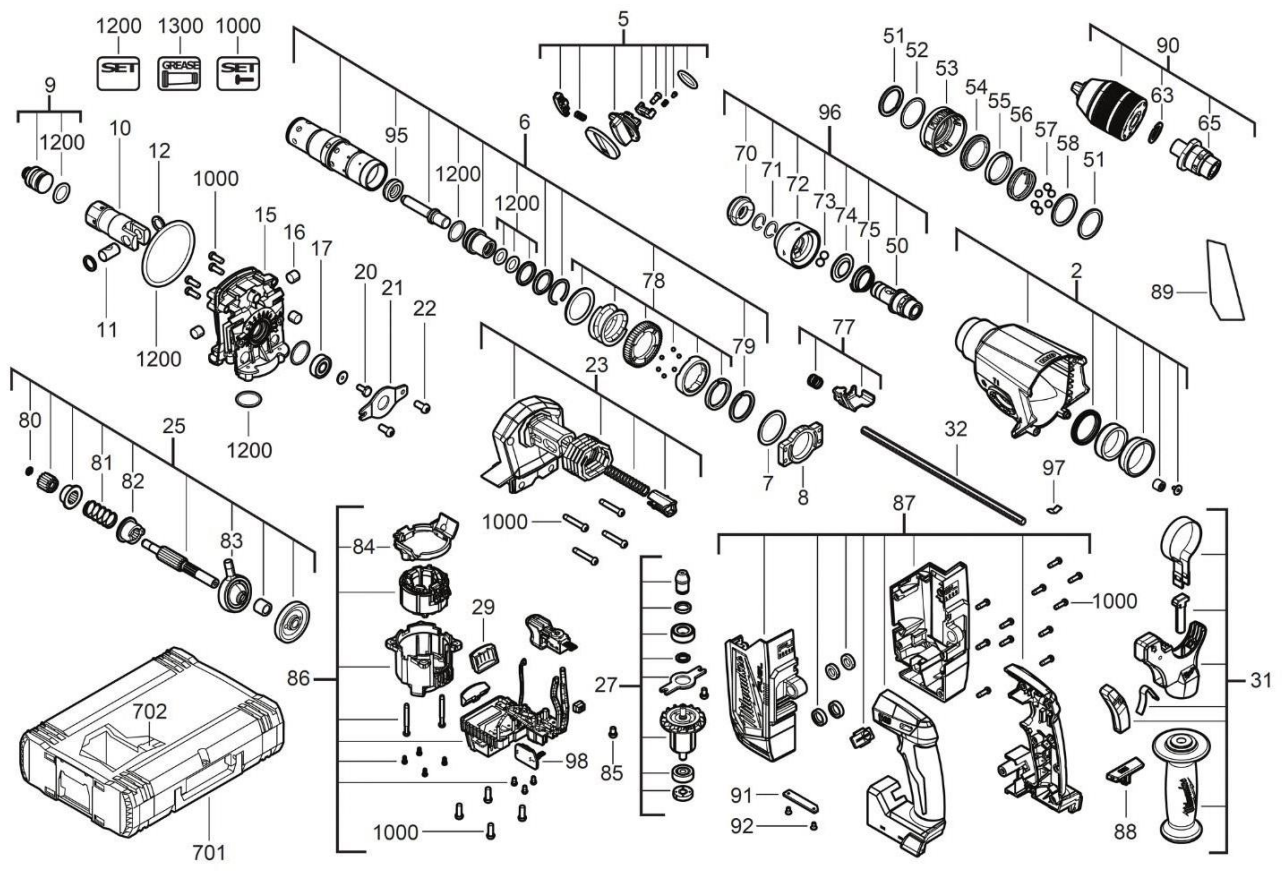


MILWAUKEE M18ONEFHX-552X FUEL SDS KIT





Position	Quantity	Description	Part number
2	1	GEAR HEAD	4931479580
5	1	TURNING KNOB	4931479581
6	1	SPINDLE SLEEVE	4931479647
7	1	WASHER	4931479583
8	1	BEARING BRACKET	4931479584
9	1	STRIKER	4931479585
10	1	PISTON	4931479586
11	1	CRANK PIN	4931479587
12	2	WASHER	4931479588
15	1	GEAR CASE	4931479589
16	3	FELT	4931436536
17	1	BALL BEARING	4931479590
20	1	SCREW	4931479591
21	1	RETAINER	4931479592
22	2	SCREW	4931466678
23	1	COVER	4931479593
25	1	WOBBLE DRIVE	4931494322
27	1	ROTOR	4931494323
29	1	COVER	4931479596
31	1	AUXILIARY HANDLE	4931479597
32	1	DEPTH GAUGE	4931479598
50	1	SLEEVE	4931479648
51	2	RETAINING RING	672634004
52	1	WASHER	4931479649
53	1	SLEEVE	4931479650
54	1	STOP WASHER	4931479651
55	1	RING	522187001
57	6	BALL	681486001
58	1	WASHER	632420001
63	1	SPRING	692738001
65	1	SLEEVE	4931479652
70	1	RUBBER CAP	561993001
71	2	RING	4931436764
72	1	SLEEVE	4931479653
73	2	BALL	4931453606
74	1	PLATE	4931436765
75	1	SPRING	4931453607
77	1	LOCKING PLATE	4931479600
78	1	DRIVE GEAR	4931479601
79	1	SNAP RING	4931479602
80	1	WASHER	633525001
81	1	SPRING	4931479603
82	1	SLEEVE	4931479604
83	1	AXLE WOBBLE	4931479605
84	1	CLAMPING PIECE	4931479606
85	2	SCREW	4931479607
86	1	ELECTRONIC [2]	4931479657
87	1	HOUSING	4931479658
88	1	SLIDER	4931479610
89	1	RATING PLATE	4931494327
90	1	FIXTEC ADAPTER	4931479655
91	1	COVER	4931479660
92	2	SCREW	4931465385

95	1	STOP WASHER	4931479613
96	1	CHUCK	4931479656
97	1	SPRING PLATE	4931479612
98	1	ELECTRONIC	4931479661
701	1	HD Box 3 - 1pc	4932453386
702	1	INSERT	4931479615
1000	1	SCREW	4931479616
1200	1	O-RING	4931479617
1300	1	GEAR GREASE	4931443288