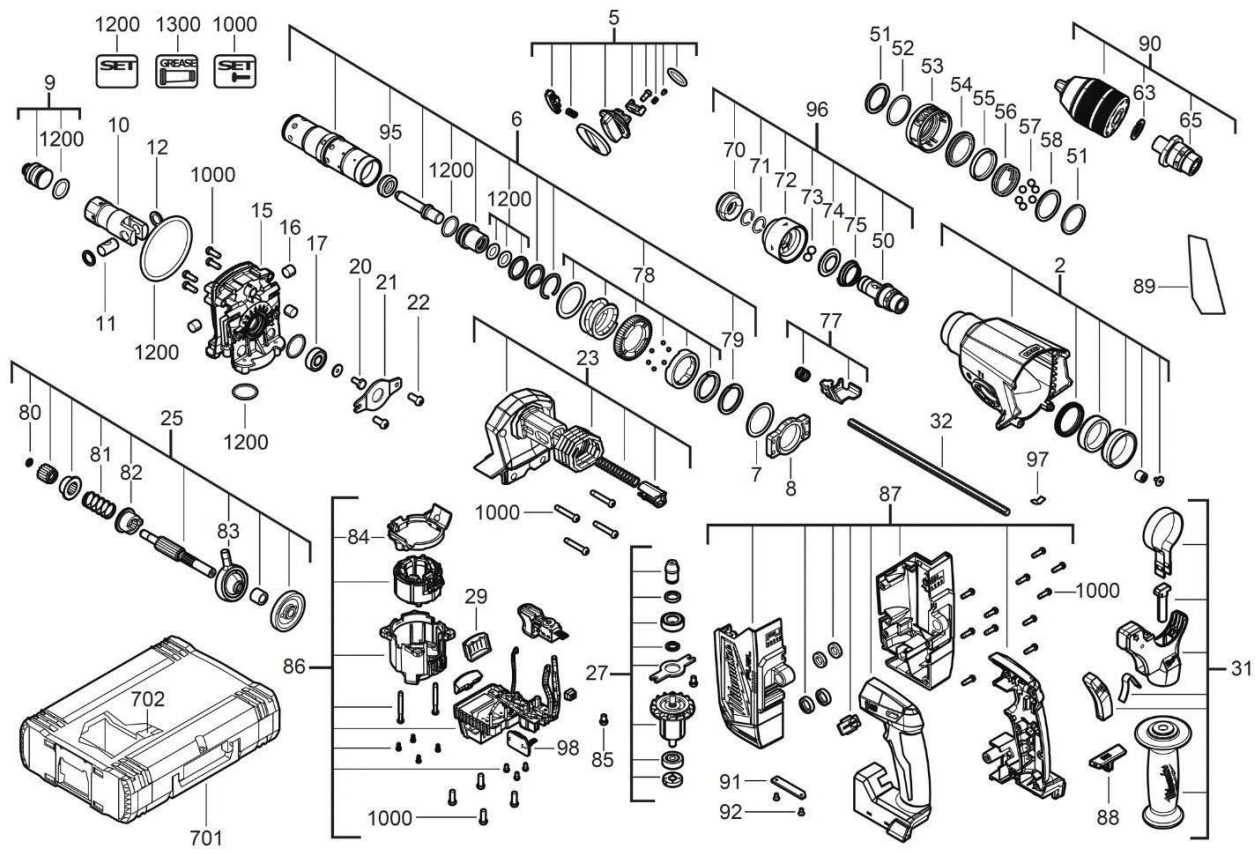


MILWAUKEE M18ONEFHX-552X FUEL SDS KIT





| Position | Quantity | Description | Part number |
|----------|----------|------------------|-------------|
| 2 | 1 | GEAR HEAD | 4931479580 |
| 5 | 1 | TURNING KNOB | 4931479581 |
| 6 | 1 | SPINDLE SLEEVE | 4931479647 |
| 7 | 1 | WASHER | 4931479583 |
| 8 | 1 | BEARING BRACKET | 4931479584 |
| 9 | 1 | STRIKER | 4931479585 |
| 10 | 1 | PISTON | 4931479586 |
| 11 | 1 | CRANK PIN | 4931479587 |
| 12 | 2 | WASHER | 4931479588 |
| 15 | 1 | GEAR CASE | 4931479589 |
| 16 | 3 | FELT | 4931436536 |
| 17 | 1 | BALL BEARING | 4931479590 |
| 20 | 1 | SCREW | 4931479591 |
| 21 | 1 | RETAINER | 4931479592 |
| 22 | 2 | SCREW | 4931466678 |
| 23 | 1 | COVER | 4931479593 |
| 25 | 1 | WOBBLE DRIVE | 4931494322 |
| 27 | 1 | ROTOR | 4931494323 |
| 29 | 1 | COVER | 4931479596 |
| 31 | 1 | AUXILIARY HANDLE | 4931479597 |
| 32 | 1 | DEPTH GAUGE | 4931479598 |
| 50 | 1 | SLEEVE | 4931479648 |
| 51 | 2 | RETAINING RING | 672634004 |
| 52 | 1 | WASHER | 4931479649 |
| 53 | 1 | SLEEVE | 4931479650 |
| 54 | 1 | STOP WASHER | 4931479651 |
| 55 | 1 | RING | 522187001 |
| 57 | 6 | BALL | 681486001 |
| 58 | 1 | WASHER | 632420001 |
| 63 | 1 | SPRING | 692738001 |
| 65 | 1 | SLEEVE | 4931479652 |
| 70 | 1 | RUBBER CAP | 561993001 |
| 71 | 2 | RING | 4931436764 |
| 72 | 1 | SLEEVE | 4931479653 |
| 73 | 2 | BALL | 4931453606 |
| 74 | 1 | PLATE | 4931436765 |
| 75 | 1 | SPRING | 4931453607 |
| 77 | 1 | LOCKING PLATE | 4931479600 |
| 78 | 1 | DRIVE GEAR | 4931479601 |
| 79 | 1 | SNAP RING | 4931479602 |
| 80 | 1 | WASHER | 633525001 |
| 81 | 1 | SPRING | 4931479603 |
| 82 | 1 | SLEEVE | 4931479604 |
| 83 | 1 | AXLE WOBBLE | 4931479605 |
| 84 | 1 | CLAMPING PIECE | 4931479606 |
| 85 | 2 | SCREW | 4931479607 |
| 86 | 1 | ELECTRONIC [2] | 4931479657 |
| 87 | 1 | HOUSING | 4931479658 |
| 88 | 1 | SLIDER | 4931479610 |
| 89 | 1 | RATING PLATE | 4931494327 |
| 90 | 1 | FIXTEC ADAPTER | 4931479655 |
| 91 | 1 | COVER | 4931479660 |
| 92 | 2 | SCREW | 4931465385 |

| | | | |
|------|---|----------------|------------|
| 95 | 1 | STOP WASHER | 4931479613 |
| 96 | 1 | CHUCK | 4931479656 |
| 97 | 1 | SPRING PLATE | 4931479612 |
| 98 | 1 | ELECTRONIC | 4931479661 |
| 701 | 1 | HD Box 3 - 1pc | 4932453386 |
| 702 | 1 | INSERT | 4931479615 |
| 1000 | 1 | SCREW | 4931479616 |
| 1200 | 1 | O-RING | 4931479617 |
| 1300 | 1 | GEAR GREASE | 4931443288 |