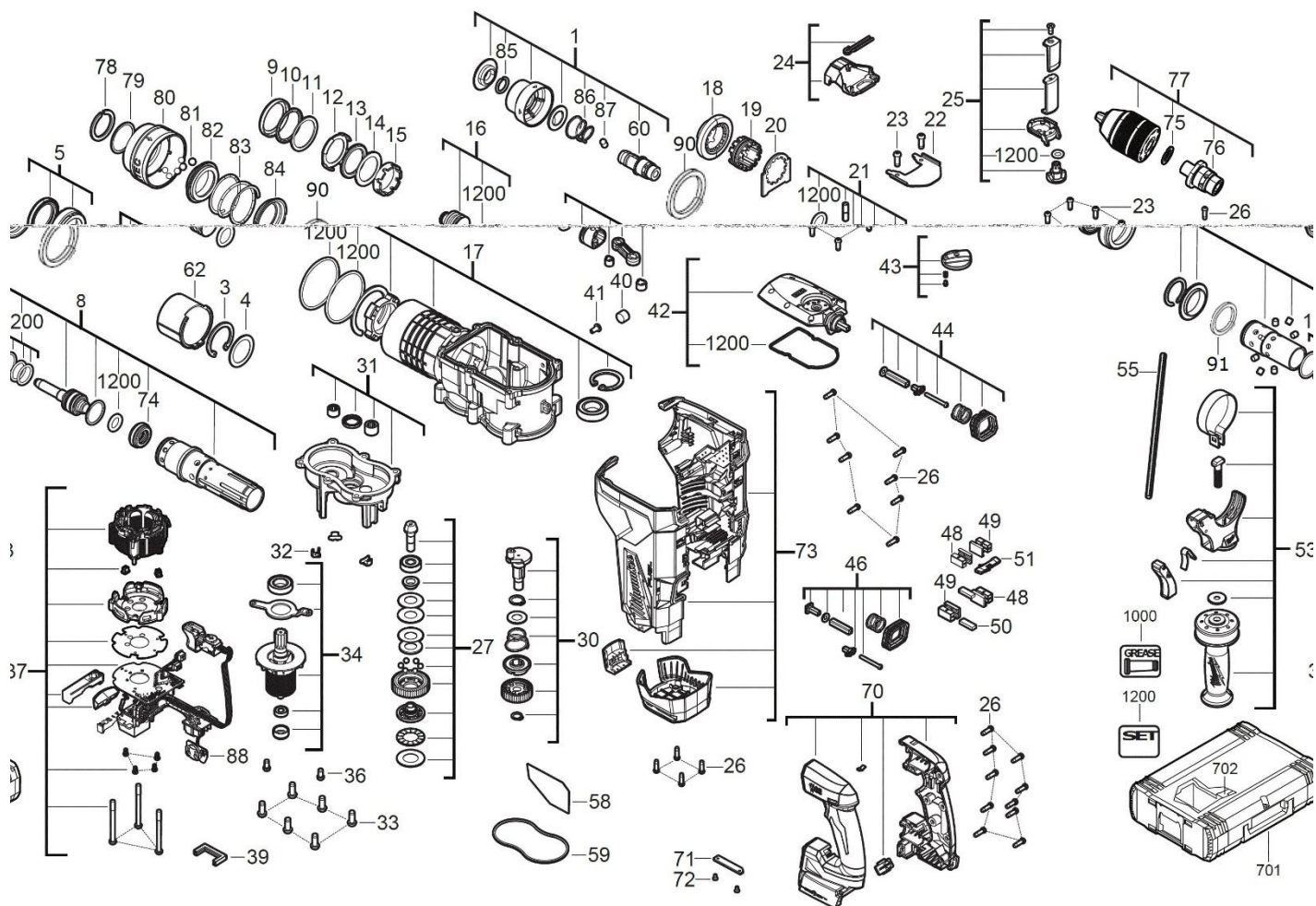


**MILWAUKEE M18ONEFHPX-0X SDS-PLUS
HAMMER DRILL NAKED 4933478495**





Position	Quantity	Description	Part Number
1	1	CHUCK	4931479842
3	1	SNAP RING	4931479801
4	1	WASHER	4931479802
5	1	BUSHING	4931479803
8	1	SPINDLE KIT	4931479843
9	1	WASHER	4931479805
10	1	RING	4931479806
11	1	WASHER	4931479807
12	1	BUFFER	4931436375
13	1	RING	4931479808
14	1	WASHER	4931436371
15	1	SPINDLE	4931479809
16	1	STRIKER	4931479810
17	1	GEAR BOX COVER	4931479811
18	1	BEVEL GEAR	4931479812
19	1	SLEEVE	4931479813
20	1	LOCKING PLATE	4931479814
21	1	PISTON	4931479815
22	8	CLAMPING PIECE	4931479816
23	1	SCREW	4931435150
24	1	COVER	4931479817
25	23	BRACKET	4931479818
26	1	SCREW	660031017
27	1	CLUTCH	4931479819
30	1	CRANK ASSEMBLY	4931479820
31	3	GEAR BOX ASSY	4931479821
32	6	WASHER	4931479822
33	1	SCREW	4931436390
34	2	ARMATURE	4931479823
36	1	SCREW	660165015
37	1	MOTOR ASSEMBLY	4931479824
39	1	ELECTRONIC	4931479825
40	1	PLUG	4931479826
41	1	PIN	4931479827
42	1	GEAR BOX COVER	4931479828
43	1	PUSH BUTTON	4931479829
44	1	GEAR SLEEVE	4931479830
46	4	GEAR SLEEVE	4931479831
48	4	RUBBER BUMPER	4931479832
49	2	HOLDER	4931436422
50	1	FOAM RUBBER	4931436434
51	1	SWITCH LEVER	4931479833
53	1	SWITCH HANDLE	4931479834
55	1	DEPTH GAUGE	4931479598
58	1	RATING PLATE	4931479844
59	1	SEAL	4931479836
60	1	ADAPTER	4931479845
62	1	HANDLE	4931479846
70	2	HANDLE SET	4931479837
71	1	COVER	4931479660
72	1	SCREW	4931465385
73	1	HOUSING	4931479838
74	1	ANVIL	4931479839

75	1	SPRING	692738001
76	6	ADAPTER	4931479847
77	1	ADAPTER	4931479848
78	1	SPRING RING	4931436362
79	1	WASHER	4931479849
80	1	COLLAR	4931479850
81	2	BALL	681486001
82	1	RING	4931479851
83	2	SPRING WASHER	4931436365
84	1	RETAINING RING	4931479852
85	1	SPRING RING	672631001
86	1	SPRING	4931445571
87	1	BALL	4931453606
88	1	ELECTRONIC	4931473905
90	1	SEALING FELT	4931495546
91	1	SEALING FELT	4931495545
701	1	HD Box 3 - 1pc	4932453386
702	1	INSERT	4931479840
1000	1	GEAR GREASE	4931443288