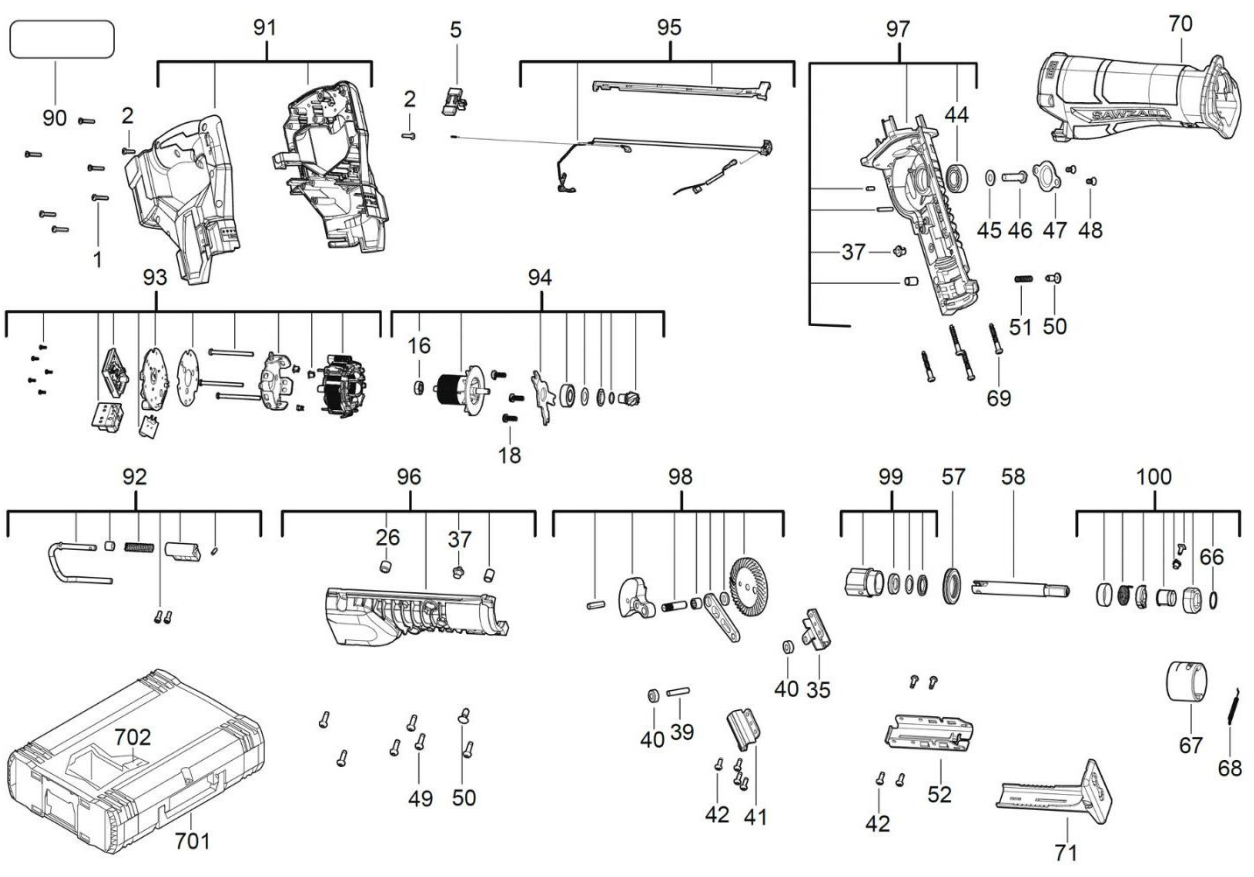


MILWAUKEE M18FSZ-501X SAWZALL Kit





Position	Quantity	Description	Part Number
1	6	SCREW	6827261
2	2	SCREW	4931454146
5	1	SLIDER	4931473770
16	1	BEARING	4931473771
18	3	SCREW	4931436635
26	1	BUSHING	4931473772
35	1	SUPPORT BRACKET	4931473773
37	2	PIN	4931473774
39	1	PIN	4931473775
40	2	SPACER	4931473776
41	1	COVER	4931473777
42	8	SCREW	661113007
44	1	BALL BEARING	4931473778
45	1	WASHER	4931473779
46	1	SCREW	4931473780
47	1	PLATE	4931436036
48	2	SCREW	4931473781
49	6	SCREW	4931435228
50	2	BUTTON	4931473782
51	1	SPRING	4931473783
52	1	BRACKET	4931473784
57	1	SEAL	4931473786
58	1	SPINDLE	4931494973
66	1	RETAINING RING	4931473788
67	1	CAM	4931473789
68	1	SPRING	4931436050
69	4	SCREW	4931454053
70	1	RUBBER SLEEVE	4931473790
71	1	SHOE RELLEVER KIT	4931473791
90	1	RATING PLATE	4931495547
91	1	HOUSING	4931473793
92	1	HOOK	4931473794
93	1	ELECTRONIC	4931495548
94	1	ROTOR	4931495549
95	1	LED LIGHT	4931473797
96	1	GEAR CASE	4931473798
97	1	GEAR CASE	4931473799
98	1	CRANK ASSEMBLY	4931473800
99	1	BUSHING	4931473801
100	1	ACCEPTANCE	4931473802
701	1	HD BOX 1 – 1 PC	4932453385
702	1	INSERT	4931473803