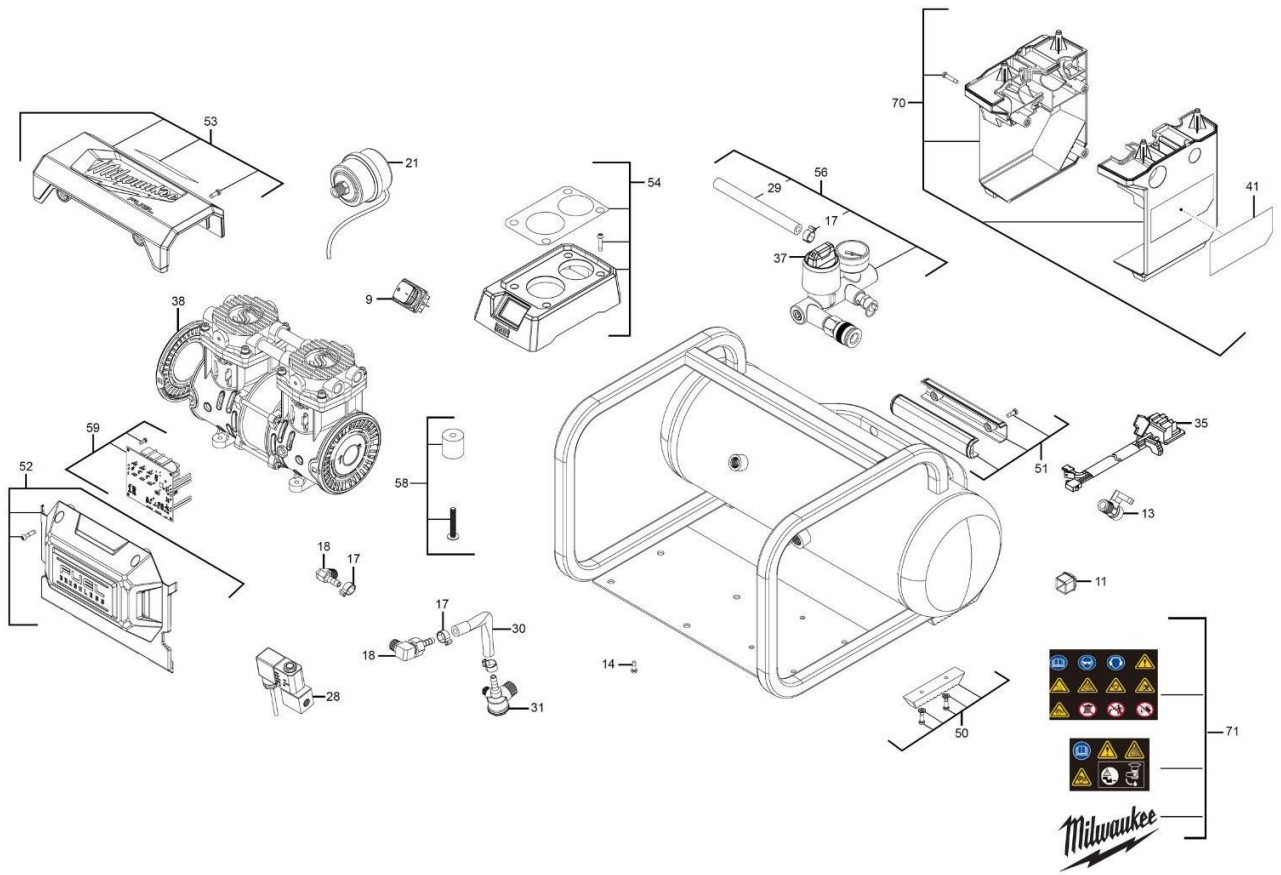


MILWAUKEE M18FAC-0 Air Compressor
MIL4933472166





| Position | Quantity | Description | Part Number |
|-----------------|-----------------|--------------------|--------------------|
| 9 | 1 | SWITCH | 4931483425 |
| 11 | 1 | CAP | 4931483426 |
| 13 | 1 | VALVE | 4931483427 |
| 14 | 6 | SCREW | 4931483428 |
| 17 | 4 | CLAMP | 4931483429 |
| 18 | 2 | DIRECT.DUST CHUTE | 4931483430 |
| 21 | 1 | FILTER | 4931483431 |
| 28 | 1 | VALVE | 4931483432 |
| 29 | 1 | HOSE | 4931483433 |
| 30 | 1 | HOSE | 4931483434 |
| 31 | 1 | VALVE | 4931483435 |
| 35 | 1 | WIRE | 4931483436 |
| 37 | 1 | COVER | 4931483437 |
| 38 | 1 | COVER | 4931483438 |
| 41 | 1 | RATING PLATE | 4931483439 |
| 50 | 4 | FOOT | 4931483440 |
| 51 | 1 | HANDLE SET | 4931483441 |
| 52 | 1 | COVER | 4931483442 |
| 53 | 1 | COVER | 4931483443 |
| 54 | 1 | HOUSING | 4931483444 |
| 56 | 1 | INTAKE MANIFOL | 4931483445 |
| 58 | 1 | SERVICE KIT | 4931483446 |
| 59 | 1 | ELECTRONIC | 4931483447 |
| 70 | 1 | SERVICE KIT | 4931483448 |
| 71 | 1 | LABEL | 4931483449 |