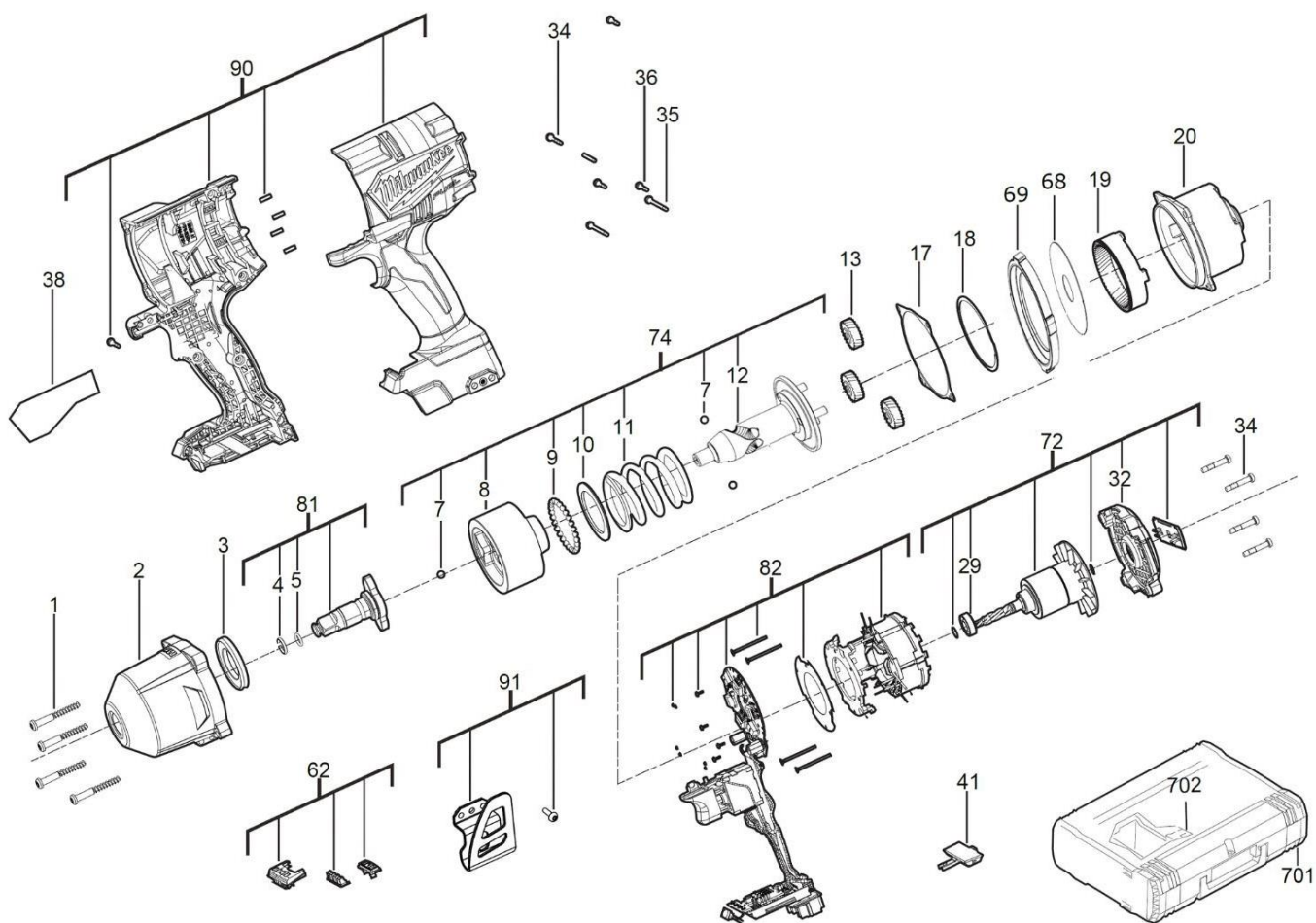


**MILWAUKEE M18ONEFHIWF1D-121C D-HANDLE HIGH TORQUE IMCT 4933471757**

**NEW**





<b>Position</b>	<b>Quantity</b>	<b>Description</b>	<b>Part Number</b>
3	1	PROTECTION WASHER	4931472110
4	1	O-RING	4931472111
6	1	BALL	4931473346
7	1	WASHER	4931473347
8	1	HAMMER	4931473348
9	30	BALL	4931473349
10	1	WASHER	4931473350
11	1	SPRING	4931473351
12	1	CAM SHAFT	4931473352
13	2	BALL	4931473353
14	1	INTERN.GEARED WHEEL	4931473354
15	3	PLANET WHEEL	4931473355
16	3	PIN	4931473356
17	1	GASKET	4931473357
21	4	SCREW	4931473358
31	1	TRIGGER	4931473359
32	1	COVER	4931473360
33	2	SCREW	4931465385
38	6	SCREW	4931480405
39	12	SCREW	4931473361
40	4	SCREW	4931473362
43	1	INSULATING PART	4931473363
51	1	ELECTRONIC	4931473365
52	1	SCREW	4931466762
53	1	WIRE	4931473366
54	3	SCREW	4931473367
55	1	WORK LAMP	4931473368
56	1	RUBBER CAP	4931473369
57	1	SPACER	4931473370
72	1	RATING PLATE	4931473371
75	1	GEAR HEAD	4931473372
76	1	ANVIL	4931473373
77	1	GEAR KIT	4931473374
78	1	GEAR BOX COVER	4931480406
79	1	ROTOR	4931480407
80	1	ELECTRONIC	4931480408
81	1	ISOLATION	4931480409
83	1	AUXILIARY HANDLE	4931473379
84	1	HOLDER	4931472130
85	1	SLIDER	4931473380
87	1	RUBBER STOP	4931473381
100	1	HOUSING	4931480410
101	1	SLIDER	4931473383
102	1	ISOLATION	4931480411
700	1	CARRYING CASE	4931480412