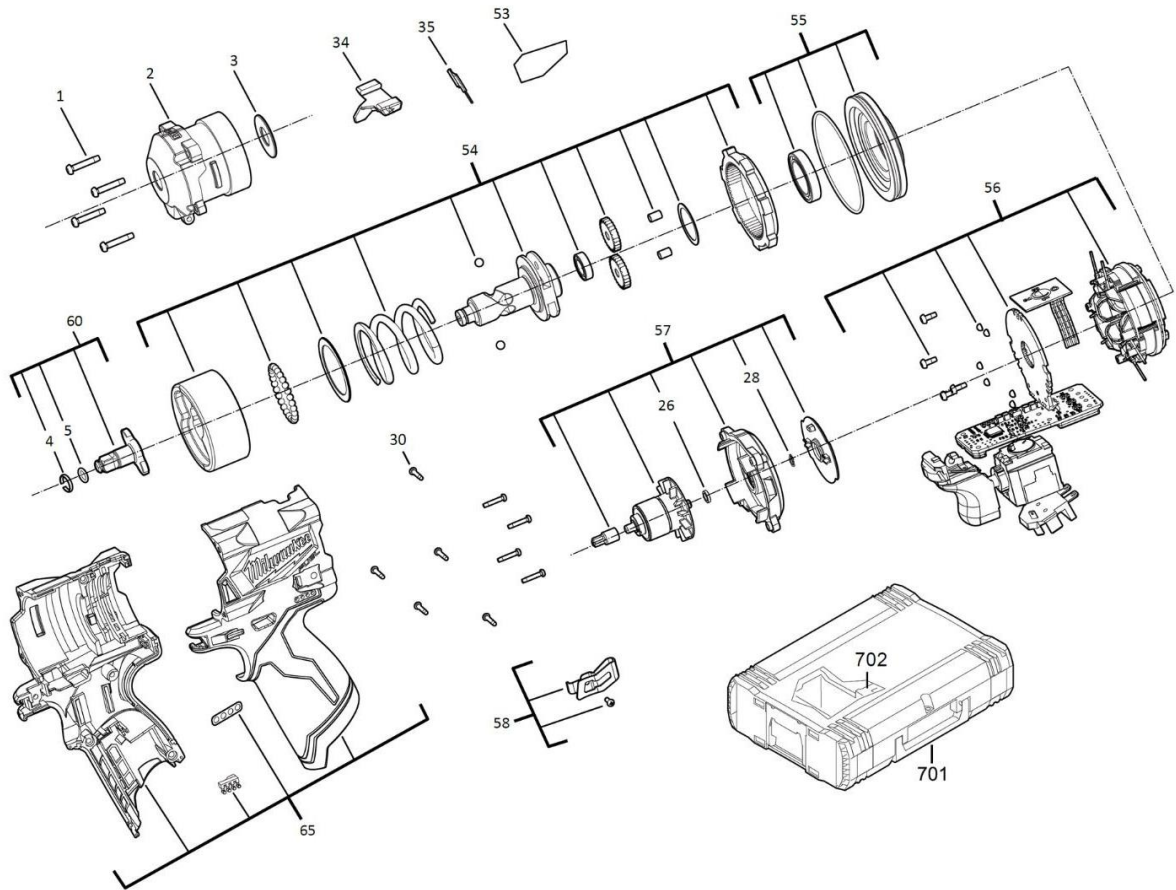


**MILWAUKEE M18FPP2AE-564P AUTOMOTIVE
TWIN PACK M18FPP2AE-564P Fuel Twin Kit 1/2"
Wrench & 3/8" Stubby Wrench(2x5Ah
1x2Ah,1x6Ah)**





Position	Quantity	Description	Part number
1	4	SCREW	660024024
2	1	GEAR BOX HOUSING	4931465779
3	1	WASHER	4931465780
4	1	RING	4931435756
5	1	O-RING	4931435755
26	1	BEARING	4931465769
28	1	RETAINING RING	4931465686
30	9	SCREW	4931465499
34	1	SWITCH	4931465770
35	1	CONNECTOR	4931436292
53	1	RATING PLATE	4931465781
54	1	GEAR BOX KIT	4931465772
55	1	GEAR COVER	4931465773
56	1	ELECTRONIC	4931465774
57	1	ARMATURE ASSEMBLY	4931465775
58	1	STRAP	4931465691
60	1	ANVIL	4931465782
65	1	BODY	4931465777
702	1	INSERT	4931465778