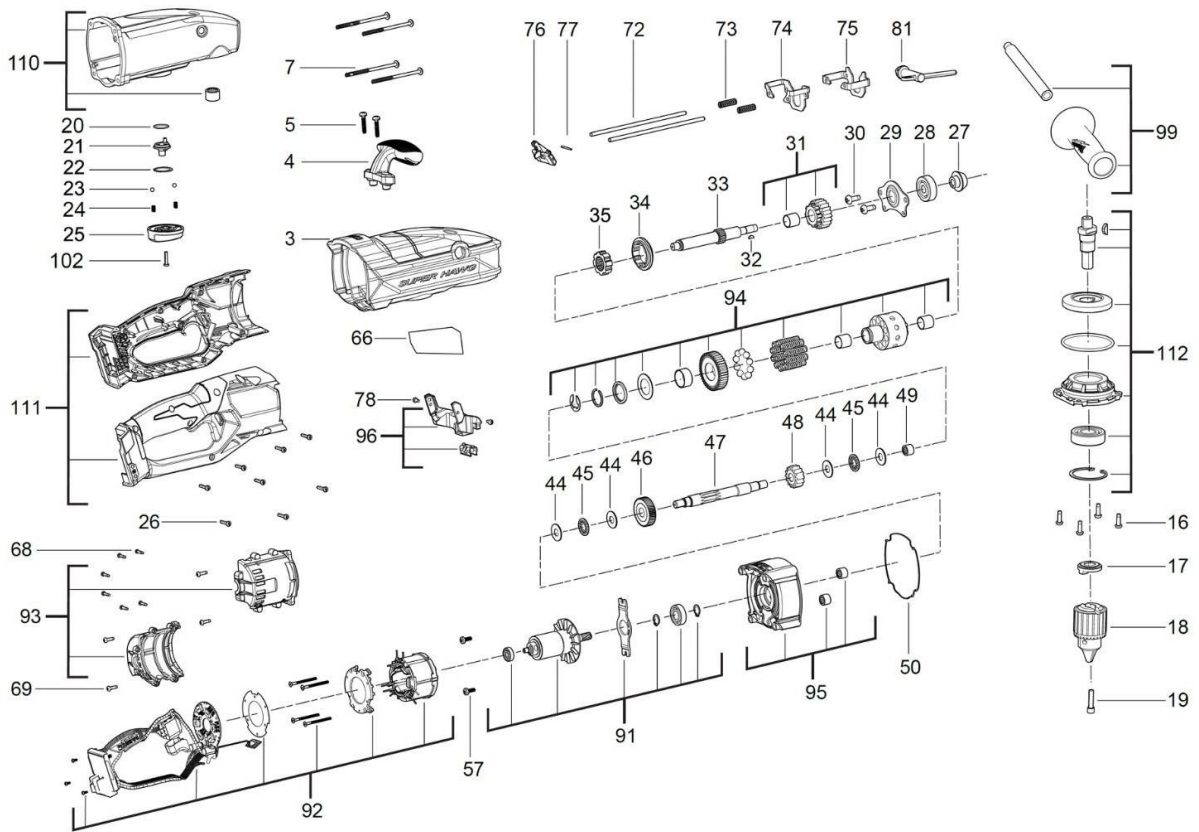


**MILWAUKEE M18FRAD2-0 H/D HOLE HOG ANG DRILL  
4933471207**





Position	Quantity	Description	Part Number
3	1	COVER	4931472241
4	1	PROTECTIVE CAP	4931453316
5	2	SCREW	661164001
16	4	SCREW	4931435228
17	1	SPACER	4931453314
18	1	Chuck	4931453313
19	1	SCREW	4931453312
20	1	O-RING	4931453321
21	1	SHAFT	4931453320
22	1	PROTECTION WASHER	4931453319
23	2	BALL	4931453238
24	2	PRESSURE SPRING	4931453318
25	1	SWITCH LEVER	4931453317
27	1	BEVEL GEAR	4931453323
28	1	BALL BEARING	4931453324
29	1	BEARING END PLATE	4931453325
30	2	SCREW	4931453326
31	1	GEARWHEEL SET	4931453327
32	1	CAM	4931453328
33	1	SHAFT	4931453329
34	1	COUPLING	4931453109
35	4	HUB	4931453110
44	1	WASHER	4931436239
46	1	WORM GEAR WHEEL	4931453333
47	1	PINION SHAFT	4931472242
48	1	PINION	4931453331
49	2	NEEDLE BEARING	4931472243
57	1	SCREW	4931436635
66	6	RATING PLATE	4931472244
68	4	SCREW	660570005
69	2	SCREW	6825285
72	2	GUIDE BOLT	4931453338
73	1	SPRING	4931453337
74	1	SLIDING SWITCH	4931453335
75	1	SLIDING SWITCH	4931453336
76	2	SLIDER	4931472245
78	1	SCREW	4931436566
81	1	CHUCK KEY	4931436565
91	1	ROTOR	4931472246
92	1	ELECTRONIC	4931472247
93	1	HOUSING SET ASSY	4931472248
94	1	CLUTCH	4931472249
95	1	BEARING END PLATE	4931472250
96	1	HOLDER	4931472251
102	1	SCREW	4931454853
110	1	GEAR BOX	4931453343
111	1	HOUSING	4931472252
112	1	DRIVE GEAR	4931453351