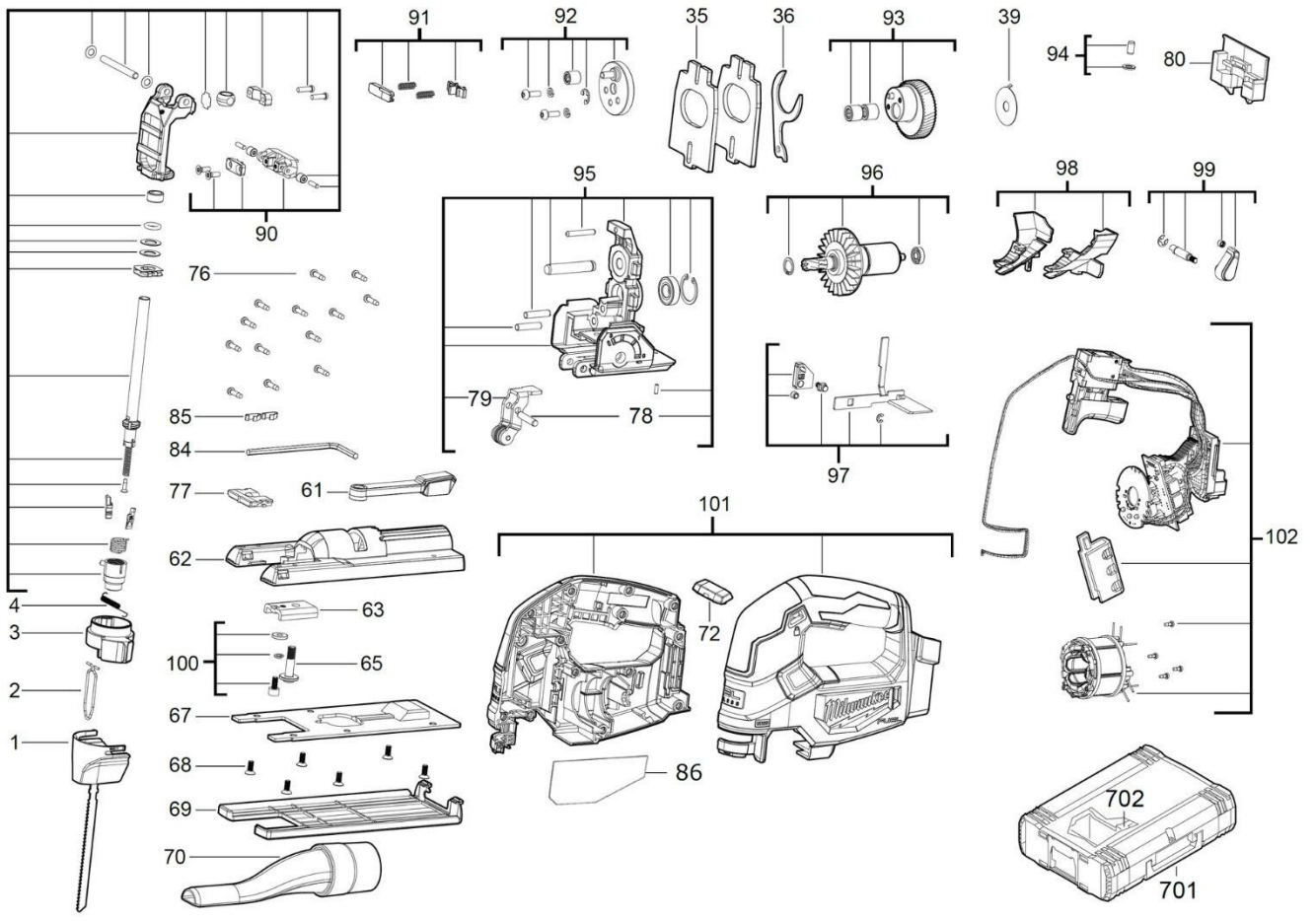


**Milwaukee M18FJS-0 Top Handle Jigsaw
M18FJS-0X**





Position	Quantity	Description	Part Number
1	1	COVER	4931466420
2	1	DISTANCE HOLDER	4931454320
3	1	SHOE REL.LEVER KIT	4931466421
4	1	SPRING	4931454321
35	2	ECCENTRIC BEARING	4931454304
36	1	ECCENTRIC DISC	4931454305
39	1	WASHER	4931454307
61	1	CLAMPING LEVER	4931466422
62	1	GLIDING SHOE	4931466423
63	1	HOLDING PLATE	4931454313
65	1	SCREW	4931466424
67	1	BASE PLATE	4931466425
68	6	SCREW	4931454315
69	1	COVER	4931466426
70	1	DUST EXTRACTION	4931466427
72	1	PUSH BUTTON	4931466428
76	13	SCREW	660024030
77	1	ANT-CHIPPING DEVICE	4931431787
78	1	HOLDING PIN	4931472871
79	1	GUIDE ROLLER	4931472870
80	1	GEAR BOX COVER	4931466429
84	1	HEX WRENCH	4931466430
85	2	SPRING	4931466431
86	1	RATING PLATE	4931466432
90	1	SPINDLE KIT	4931466433
91	1	BACKING PLATE	4931454328
92	1	SPACER PLATE	4931466434
93	1	GEAR	4931466435
94	1	SEAL	4931454337
95	1	GEAR BOX ASSY	4931466436
96	1	MOTOR ASSEMBLY	4931466437
97	1	BLOWER	4931466438
98	1	CLUTCH HOUSING	4931466439
99	1	SHOE RELLEVER KIT	4931466440
100	1	COVER KIT	4931466441
101	1	HOUSING	4931466442
102	1	SWITCH	4931466443
701	1	HD BOX 1 – 1 PC	4932453385
702	1	INSERT	4931466444