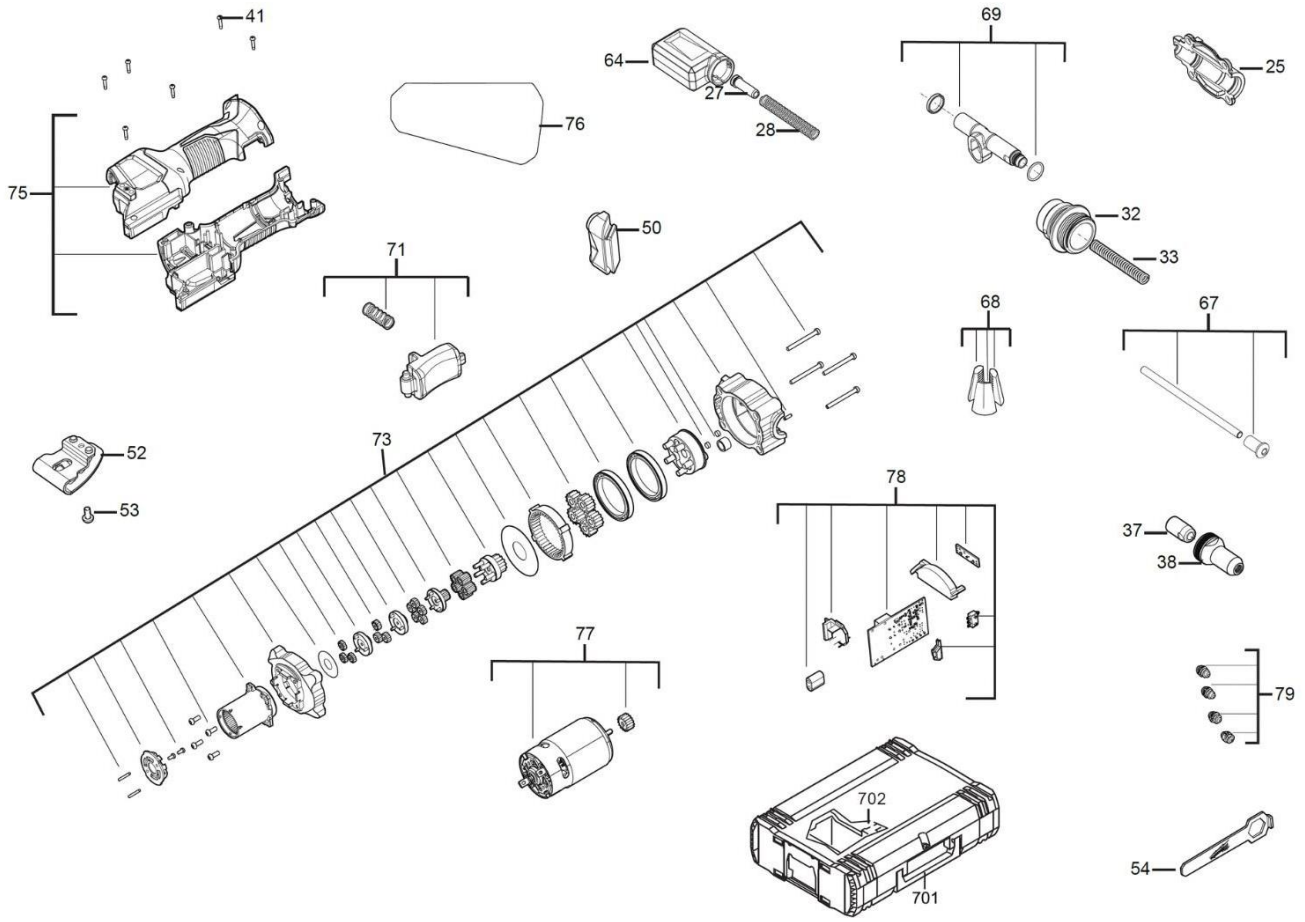


**M12 BPRT-0 SUB COMPACT RIVET TOOL
MIL4933464404**





Position	Quantity	Description	Part Number
25	4	HOUSING	4931465700
27	2	SLEEVE	4931465701
28	2	SPRING	4931465702
32	2	CLAMP	4931465703
33	7	SCREW	4931465704
37	2	HOLDER	4931465705
38	1	WRENCH	4931465706
41	1	SWITCH BAR	660570005
50	1	PAIR OF JAWS	4931465707
52	1	TRIGGER	4931453220
53	1	GEAR KIT	4931436566
54	1	RATING PLATE	4931465708
64	1	MOTOR ASSEMBLY	4931465709
67	1	ELECTRONIC	4931465710
68	1	4PCS RIV.TOOL NOSE SET (RETAINING)	4931465711
69	1	INSERT	4931465712
71	4	HOUSING	4931465713
73	2	SLEEVE	4931465714
75	2	SPRING	4931465715
76	2	CLAMP	4931465716
77	7	SCREW	4931465717
78	2	HOLDER	4931465718
79	1	WRENCH	48540100
702	1	SWITCH BAR	4931465719