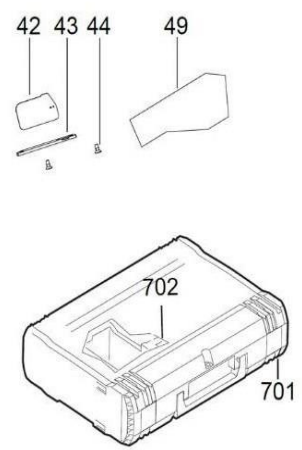
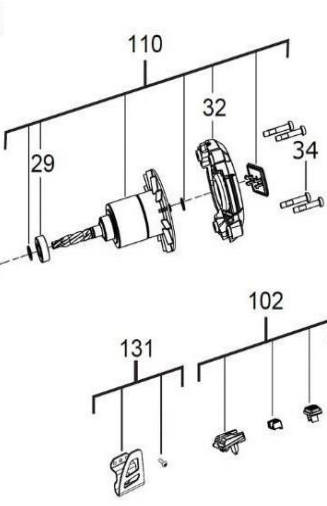
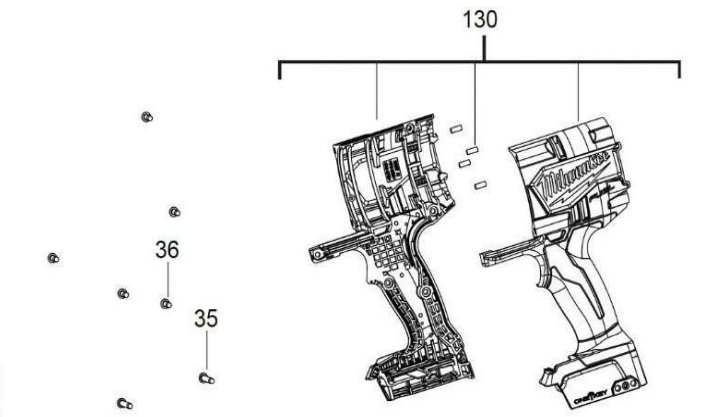
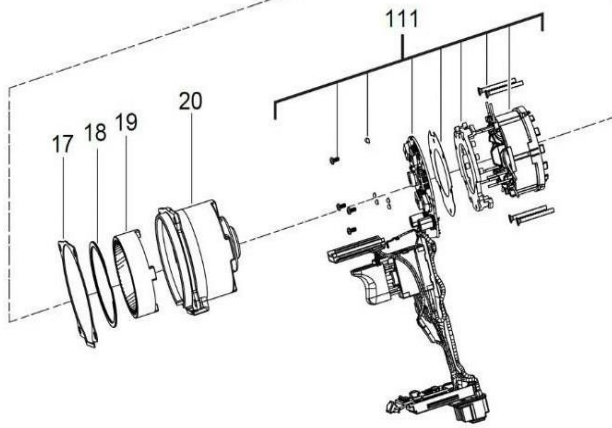
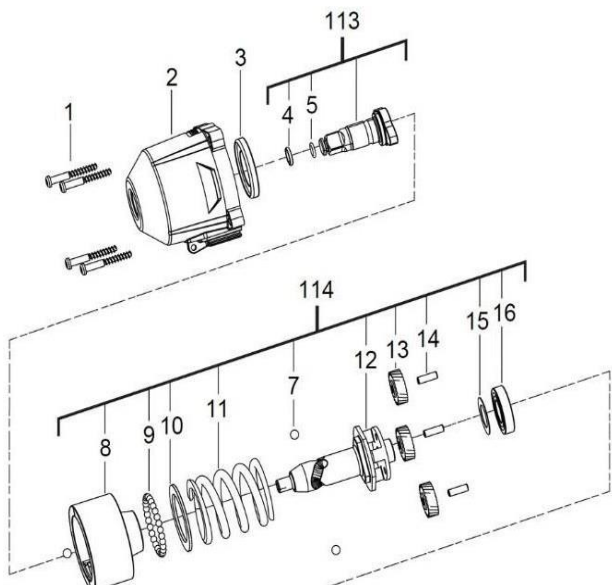


**MILWAUKEE M18ONEFHIWF12-
502X HIGH TORQUE IMPA
4933459728**





Position	Quantity	Description	Part Number
1	4	FEED SCREW	4931465519
2	1	GEAR BOX	4931465374
3	1	AXIAL BEAR.WASHER	4931465311
4	1	CIRCLIP	4931416493
5	1	O-RING	4931416492
7	3	BALL	4931436148
8	1	HAMMER	4931465312
9	28	BALL	4931440453
10	1	BEARING WASHER	4931465313
11	1	SPRING	4931465314
12	1	DRIVING SHAFT	4931465315
13	3	PLANETARY DRIVE	4931465316
14	3	PIN	671565004
15	1	BEARING WASHER	4931465317
16	1	BALL BEARING	681340001
17	1	GASKET	4931465381
18	1	HOLDING RING	4931465319
19	1	WORM GEAR WHEEL	4931465320
20	1	GEAR BOX HOUSING	4931465383
29	1	BALL BEARING	4931465322
32	1	BEARING COVER	4931465323
34	4	SCREW	4931465324
35	2	SCREW	4931465325
36	5	SCREW	4931465326
40	1	SWITCH LEVER	4931465328
42	1	CONTACT CASE	4931453372
43	1	COVER	4931465384
44	2	SCREW	4931465385
49	1	RATING PLATE	4931465386
102	1	SWITCH	4931465387
110	1	ROTOR	4931465330
111	1	ELECTRONIC	4931496010
113	1	DRIVING SHAFT	4931465332
114	1	GEAR UNIT	4931465331
130	1	HOUSING	4931465389
131	1	CLAMP	4931436160
701	1	HD Box 1 - 1pc	4932453385
702	4	INSERT	4931465336