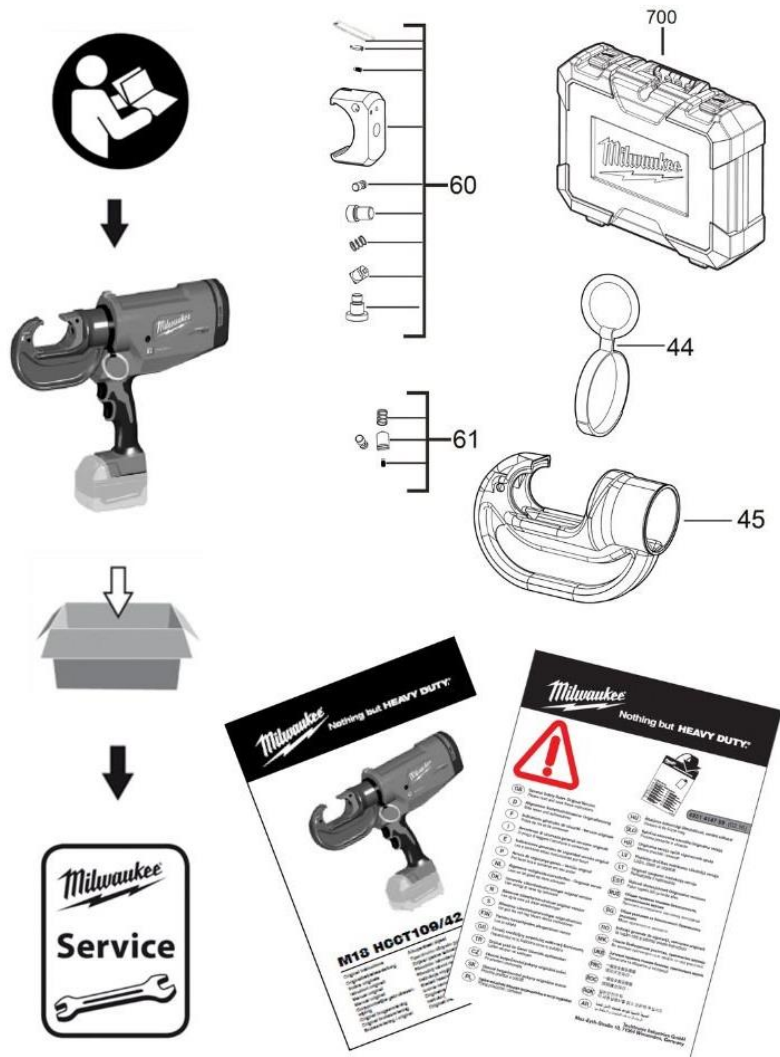


Milwaukee M18 HCCT 109/42-522C HYDRAULIC CABLE CRIMPER



Force Logic™



Position	Quantity	Description	Part Number
0	1	HEAD	4931479523
44	1	RING	4931466956
45	1	HEAD	4931466957
60	1	PUNCH	4931479522
61	2	HOLDER	4931466961
700	1	CARRYING CASE	4931466972