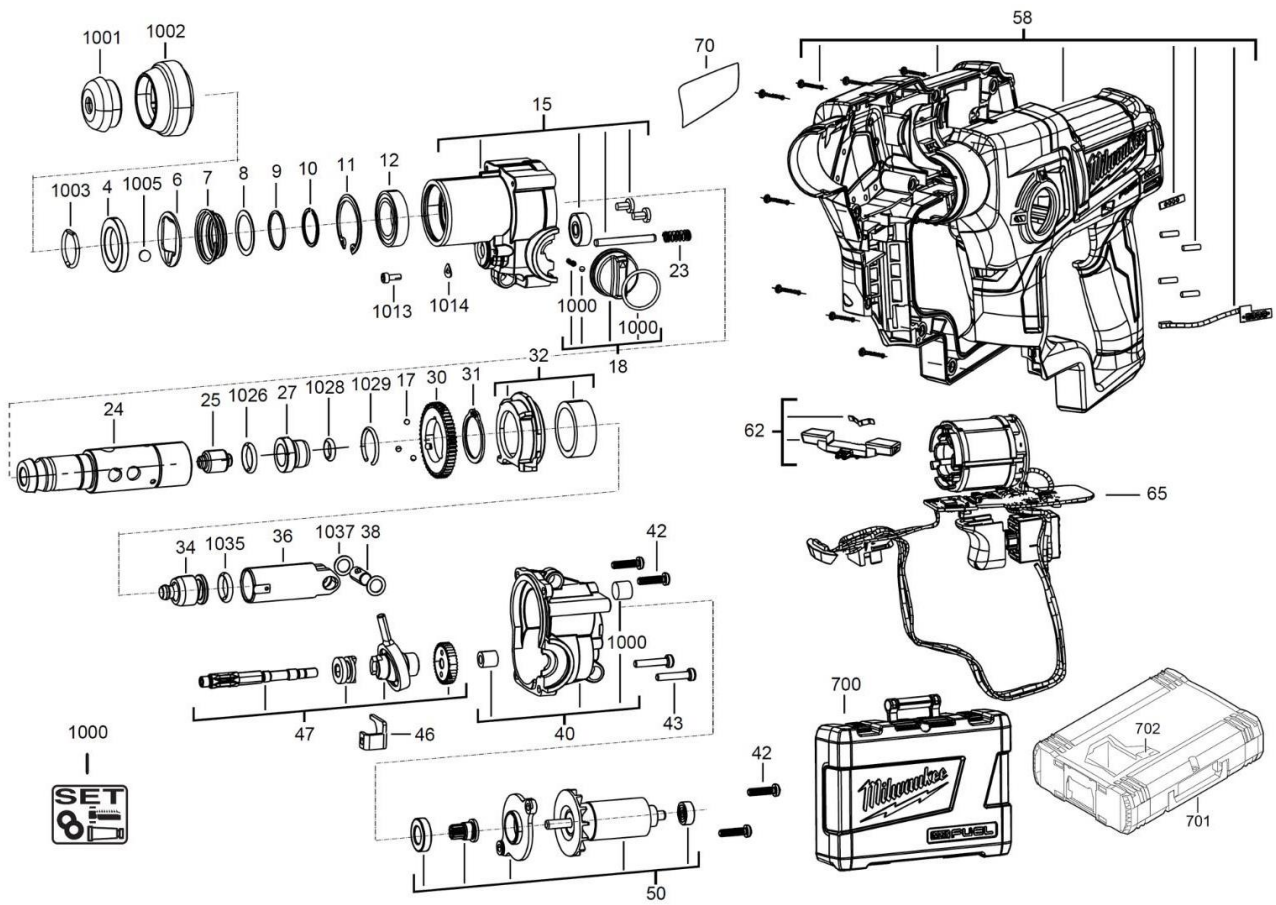


**MILWAUKEE M12CH-0 NAKED FUEL SDS HAMMER
4933441947**





Position	Quantity	Description	Part Number
4	1	LINER	4931435460
6	1	PLATE	4931435914
7	1	SPRING	672799001
8	1	WASHER	4931435463
9	1	WASHER	4931435464
10	1	HOLDING RING	4931435465
11	1	HOLDING RING	4931435476
12	1	BALL BEARING	4931435477
15	1	GEAR BOX ASSY	4931435917
17	4	BALL	611405001
18	1	SWITCH BUTTON	4931435490
23	1	SPRING	4931435479
24	1	SPINDLE	4931435918
25	1	ANVIL	4931435467
27	1	ANVIL	4931435469
30	1	SPINDLE GEAR	4931435472
31	1	HOLDING RING	4931435473
32	1	BALL BEARING	Item discontinued -4931435480
34	1	IMPACT BOLT	4931435481
36	1	PISTON	4931435919
38	1	PIN	4931435484
40	1	GEAR CASE	4931435488
42	4	SCREW	4931435489
43	2	SCREW	Item discontinued -5131026627
46	1	SWITCH LEVER	Item discontinued -4931435486
47	1	WOBBLE DRIVE	4931435920
50	1	MOTOR ASSEMBLY	4931435921
58	1	HOUSING	4931435922
62	1	PUSH-BUTTON	4931435923
65	1	SWITCH	4931435924
70	1	RATING PLATE	4931435925
700	1	CARRYING CASE	4931435926
702	1	INSERT	4931447815
1000	1	MAINTENANCE SET	4931443318
1001	1	RUBBER CAP	561993001
1002	1	SLEEVE	4931435455
1003	1	LINER	4931435459
1005	1	BALL	4931435461
1013	1	SCREW	4931435915
1014	1	WASHER	4931435916
1026	1	RUBBER RING	4931435468
1028	1	RUBBER RING	4931435470
1029	1	SPRING RING	4931435471
1035	1	RUBBER RING	4931435482
1037	1	WASHER	4931435485