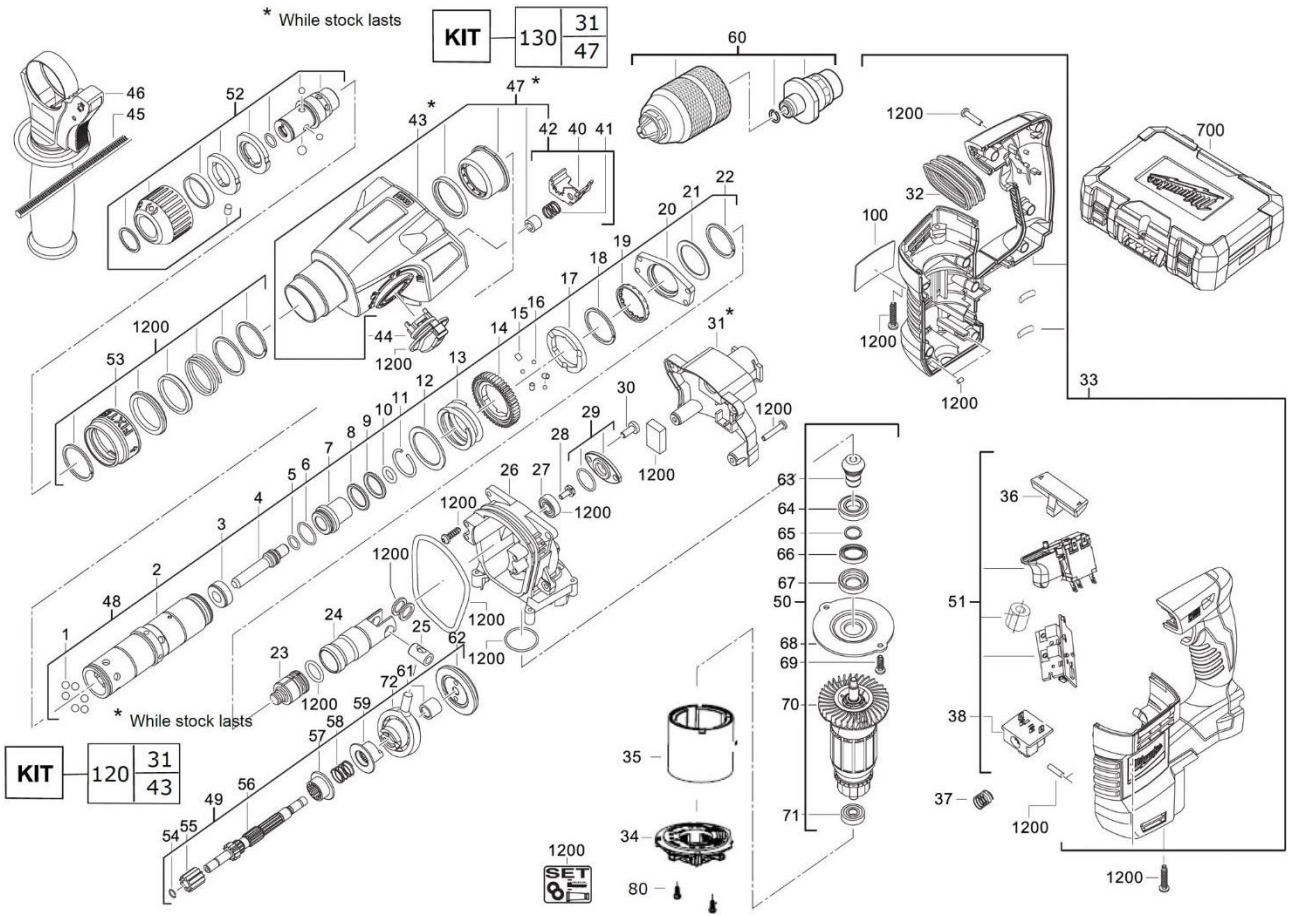


**MILWAUKEE HD18HX-0 18V SDS DRILL COMBI  
HAMMER 4933408320**





Position	Quantity	Description	Part Number
1	6	BALL	4931480449
2	1	SPINDLE SLEEVE	4931472108
3	1	STOP WASHER	4931472109
4	1	SNAP DIE	4931472110
5	1	O-RING	4931472111
6	1	O-RING	4931472112
7	1	SLEEVE	4931440453
8	1	O-RING	4931472113
9	1	WASHER	4931472114
10	1	O-RING	4931472115
11	1	CIRCLIP	4931472116
12	1	WASHER	4931465316
13	1	SPRING	671565004
14	1	REDUCTION GEAR	4931465317
15	3	PIN	4931472117
16	3	BALL	4931472118
17	1	CLUTCH DISC	4931465319
18	1	RETAINING RING	4931465320
19	1	BEARING	4931480450
20	1	BEARING	4931472120
21	1	WASHER	-
22	1	CIRCLIP	4931465326
23	1	PERCUSSION BODY	4931465324
24	1	CYLINDER	4931465325
25	1	CYLINDER PIN	4931496561
26	1	BRACKET	4931480452
28	2	SCREW	4931480453
29	1	BEARING END PLATE	4931465385
30	1	LOCKING SCREW	4931480454
31	1	GEAR BOX COVER	4931480455
32	1	RUBBER SLEEVE	4931472123
33	1	MOTOR HOUSING	4931480456
34	1	CARBON BRUSH SET	4931472125
35	1	ELECTRIC FIELD	4931472126
36	1	LEVER	4931496562
37	1	PRESSURE SPRING	4931472128
38	1	INSERT	4931473383
40	1	PLATE	4931472130
41	1	SPRING	4931480458
42	1	PLATE	4931480459
44	1	SCHALTER	4932453386
45	1	DEPTH GAUGE	4931480460
46	1	AUXILIARY HANDLE	
48	1	SPINDLE	
49	1	GEAR SHAFT	
50	1	MOTOR ASSEMBLY	
51	1	SWITCH ASSEMBLY	
52	1	ADAPTER	
53	1	SLEEVE	
54	1	WASHER	
55	1	GEAR	
57	1	INTERN.GEARED WHEEL	
58	1	SPRING	

59	1	COUPLING SLEEVE	
60	1	CLUTCH CHUCK ASS.	
62	1	BEVEL GEAR	
63	1	PINION	
64	2	BALL BEARING	
69	1	SCREW	
70	1	ARMATURE	
71	1	BALL BEARING	
72	1	BALL BEARING	
80	2	SCREW	
100	1	RATING PLATE	
120	1	GEAR HEAD	
130	6	GEAR BOX KIT	
700	1	CARRYING CASE	
1200	1	MAINTENANCE SET	