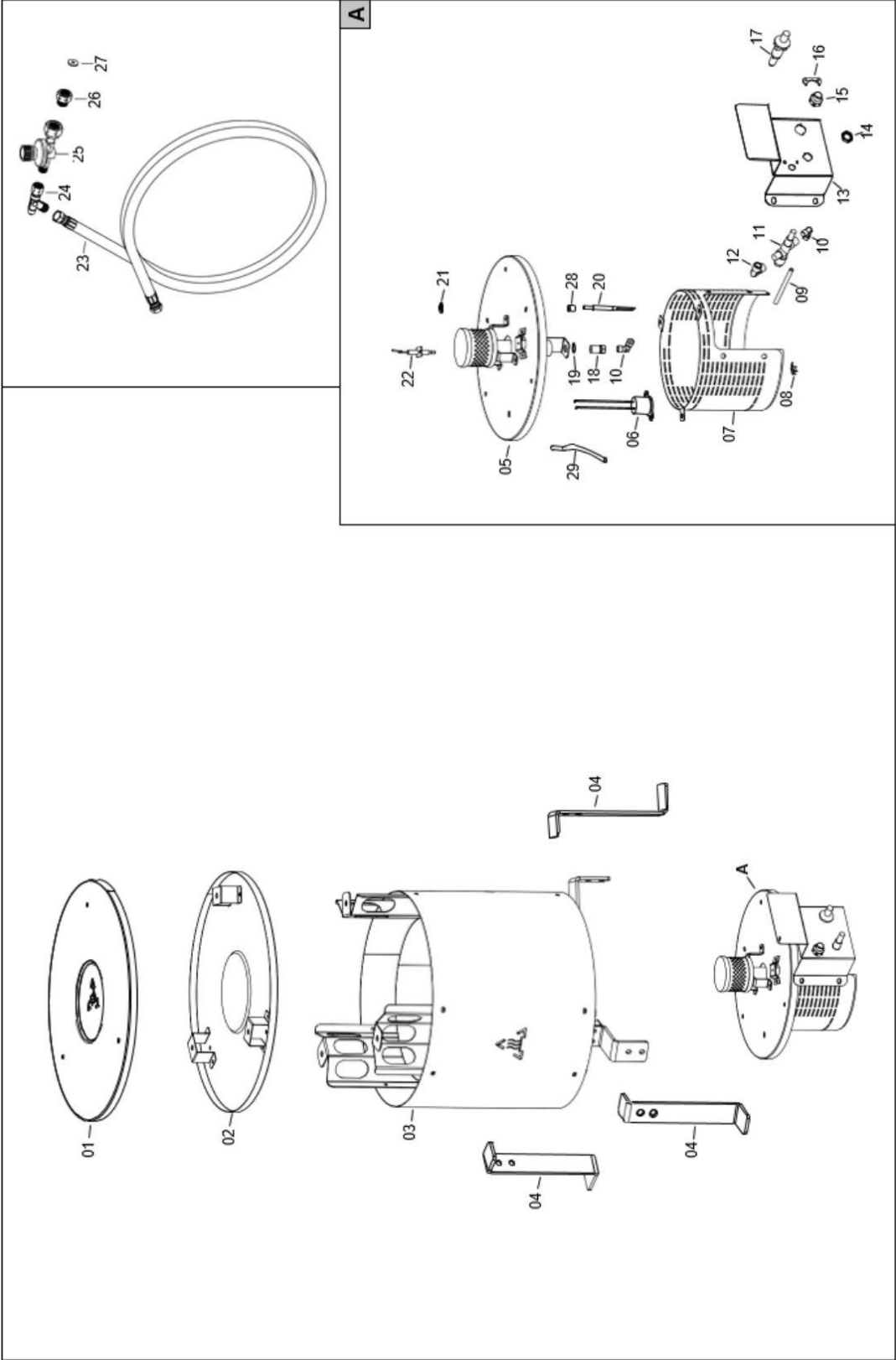


**BIEMMEDUE GW32 GAS HEATER 03GW101
HRP0071**





PL 05/24			From S/N
POS	P/N	LEGENDA	DESCRIPTION
1	G03388	-	Upper disc
2	G03389	-	Lower disc
3	G03390	-	Body
4	G03391	-	Support
5	G03392	-	Burner
6	E50446-1	35° - S1116	Tip over switch
7	G03393	-	Isolation
8	E20679	6,3x0,8 mm - 45°	Terminal board
9	I42024	Ø 4 x Ø 2	Gas supply pipe
10	I30869	1/8" M / Ø6 / 90°	Connection bicone
11	T30335	1/8" M - 1/8" F	Thermal gas valve
12	I20325	1/8" FF	Fitting
13	G03394	-	Burner plate
14	T30337	M12x1	Nut
15	I30738	1/4" M sx - 1/8" M	Brass fitting
16	G03194	-	Fitting lock bracket
17	T30604	-	Piezo igniter
18	I33013	G1/8" F-Ø 1,1	Nozzle
19	M20317	E12	Seeger ring
20	E50504	L = 450 mm	Thermocouple
21	M20208	-	Elastic washer
22	E10213	-	Ignition electrode
23	I40559	1/4" Fsx-3/8" Fsx-L=5m	Gas hose
24	03AC504	8,5 kg - 3/8" G	Excess flow valve
25	T30332-D	AT-BG-CY-DK-DE-EE-LT-LV- MK-MT-RO-TR-NL	Pressure regulator
25	T30332-US	SE - NO	Pressure regulator
25	T30332-GB	FI - IE - GB	Pressure regulator
26	T30527	BE-CZ-ES-FR-HR-HU-LU-PL- PT-SI-SK	Fitting
26	T30529	IT-GR	Fitting
27	T30528	NL	Seal
28	G06072	Ø8 x Ø6 x 9,5	Spacer
29	E00390	L=300 mm	H.T. Cable connect.