

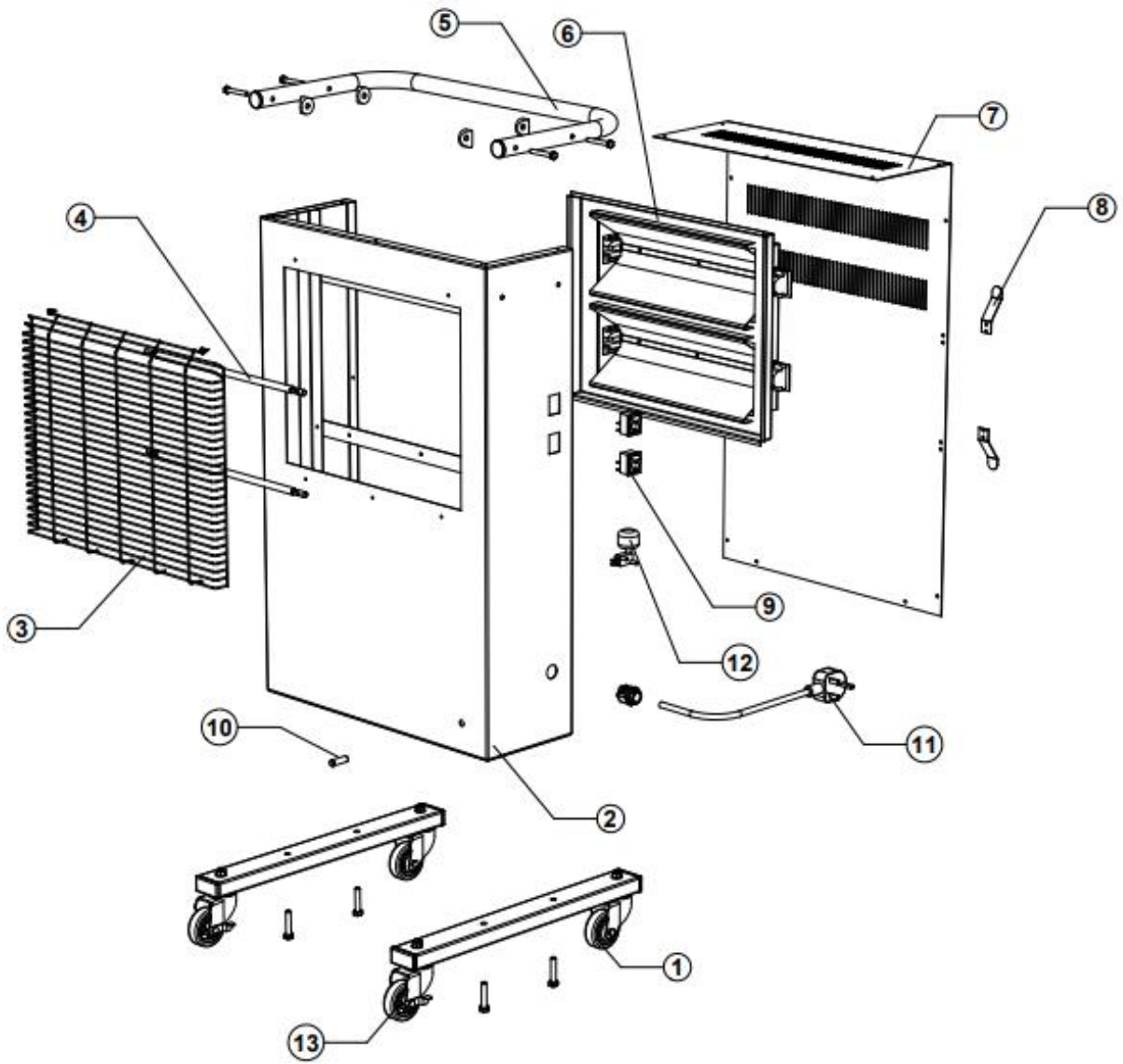
RG308 ELECTRIC INFRARED HEATER

HRP0026 – 110V

HRP0025 – 220V



RG308-18 Spare Parts:



Position	Quantity	Description
1		Swivel Castol
2		Steel Case
3		Fire Guard
4		Heating Bulb 1400watts 230V
4		Heating Bulb 1400watts. 110V (Not Shown)
4		Heating Bulb 700watts 110V (Not Shown)
5		Tube Handle
6		Reflector Assembly
7		Rear Panel
8		Cable Ear
9		Illuminated Rocker Switch
10		Indicator Lamp 230V
10		Indicator Lamp 110V (not shown)
11		Mains Cable. 13A 230V UK moulded plug.
11		Mains Cable. 32A 110V (Not Shown).
11		Mains Cable. 16A 110V (Not Shown)
12		Tilt Switch
13		Locking Castor