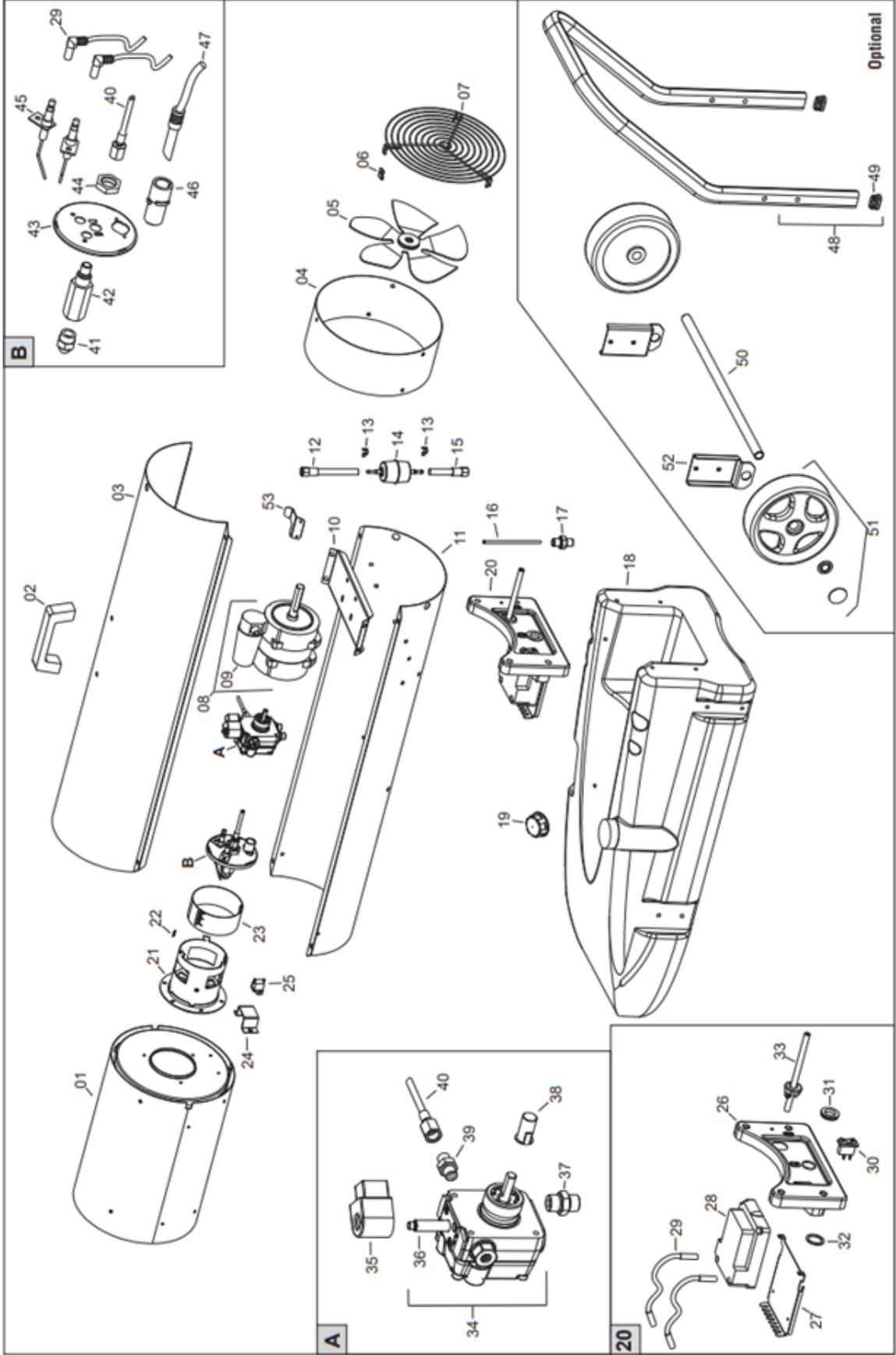


BM2 GE20 Direct Diesel/Kerosene Space Heater





PL 07/11			From S/N
POS	P/N	LEGENDA	DESCRIPTION
01	G06251	-	Combustion chamber
02	C10202	-	Handle
03	G06252-3001	-	Upper body
04	G06253-3001	-	Air conveyor
05	T10251	Ø 200 31°	Fan
06	M20412	U42-182 B	Lock plate
07	P30160	-	Inlet grill
08	E10690	75 W - 230V - 50Hz	Motor
09	E11243	4 µF	Capacitor
10	G06254	-	Motor support bracket
11	G06430-3001	-	Lower body
12	I40327	L = 180mm - 1/4" FF	Flex diesel pipe
13	C30729	Ø12,5 - 14,5/6 CLIC120	Clip
14	I30414	Ø6 - Ø8	Filter
15	I40326	L = 85mm - 1/4" FF	Flex diesel pipe
16	I30700	L = 120mm	Suction pipe
17	I30737	1/4" M - M12x1,75 M	Brass fitting
18	P50140	19 l	Fuel tank
19	C30386	Ø 39,8	Tank cap
20	G00297	-	El. control box
21	G06259	-	Blast tube
22	E20671	6,3x0,8 mm	Terminal board
23	G06260	-	Air adjustment shutter
24	G06221	-	Thermostat support bracket
25	E50109	-	Safety thermostat
26	C10330	-	Support plate
27	G06431	-	Support plate
28	E40123	OB1 - 230V	Flame control box
29	G02077	L = 500 mm	H.T. Cable connect.
30	E10119	0 - I	Switch
31	E20418	-	Stop button protection
32	M20129	Ø23 x Ø29,5 x 2	Washer
33	E30448	L = 1,5m - SCHUKO	Power cord
34	T20457	SUNTEC CSV 30	Diesel pump
35	T20458	SUNTEC CSV 30 - 230 V	Solenoid coil
36	T20461	SUNTEC CSV	Solenoid valve body
37	I20104	1/4"M - 1/4"M	Iron fitting
38	E10698	SIMEL	Motor-pump coupling
39	I20115	1/8"M - 1/8"M	Iron fitting
40	I40192	L = 250mm 1/8"F - 1/8"F	Micropipe
41	T20338	DANFOSS 0,40 GPH 80° S	Nozzle
42	I33007	-	Nozzle support

PL 07/11			From S/N
POS	P/N	LEGENDA	DESCRIPTION
43	P20527	-	Burner support disc
44	I31034	M14	Brass lock nut
45	E10248	-	Ignition electrode
46	E50327	-	Photoresistor support
47	E50326	BERTELLI 17843 L = 1 m	Photocell
48	P20188-9005	-	Handle
49	C30361	15x30	Pipe cap
50	G06432-9005	Ø 15	Wheel axle
51	C10529	Ø 150 - Ø 15	Wheel
52	G06433-9005	-	Wheels axle support bracket
53	G06434-9005	-	Power cord support