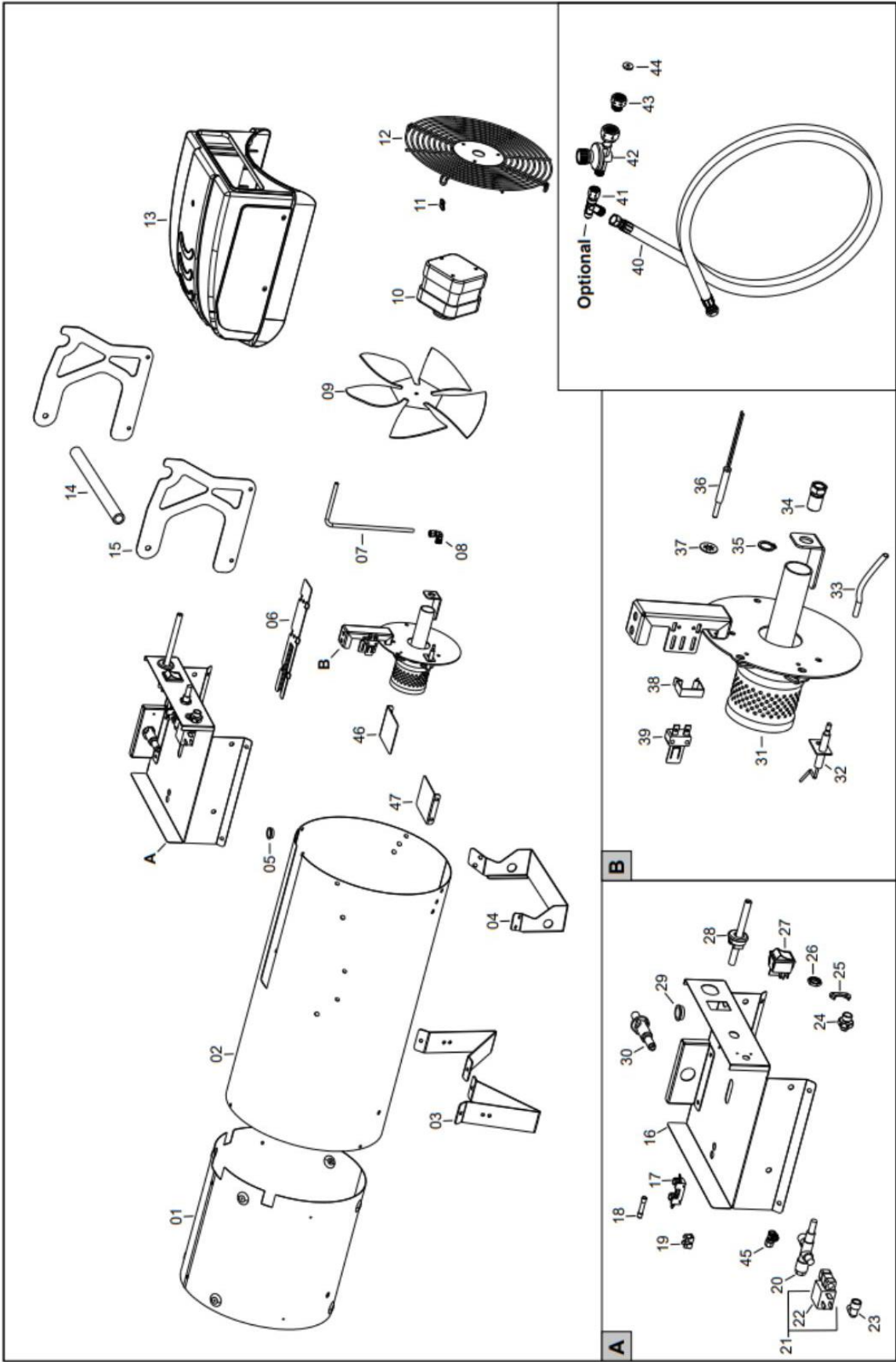


BM2 GP65M Direct Fired Space Heater HRP00093





PL 07/11			From S/N
POS	P/N	LEGENDA	DESCRIPTION
1	G03201	-	Combustion chamber
2	G03202-3001	-	Body
3	G03203-9005	-	Support
4	G03189-9005	-	Support
5	C30348	Ø16 mm	Cable protection
6	G03190-3001	-	Stirrup
7	I42002	Ø 6 x Ø 4	Gas supply pipe
8	I30869	1/8"M / Ø6 / 90°	Connection bicone
9	T10276	Ø 300 - 27°	Fan
10	E10722	34 W - 230 V - 50 Hz	Motor
11	M20412	U42-182 B	Lock plate
12	P30175	-	Inlet grill
13	P50141	-	Control box cover
14	G03191-9005	-	Handle
15	G03192-9005	-	Handle support
16	G03204-9005	-	Support plate
17	E20508	6 x 32	Fuse holder
18	E10306	6x30 - 4A - T	Fuse
19	M20616	-	Terminal board to rivet
20	T30336	1/4" M - 1/4"M	Thermal gas valve
21	T30203	VE131.4-220 V	Solenoid valve
22	T30204	230 V	Solenoid coil
23	I20301	1/4"MF / 90°	Fitting
24	I30739	1/4"Mdx - 1/4"Msx	Brass fitting
25	G03194	-	Fitting lock bracket
26	T30337	M12x1	Nut
27	E10110-1-P	0 - I	Switch
28	E30457	L = 1,5 m - SCHUKO	Power cord
29	C30388	Ø20 mm	Cable protection
30	T30604	-	Piezo igniter
31	G03205	-	Combustion head
32	E10213	-	Ignition electrode
33	E00390	L=300 mm	H.T. Cable connect.
34	I33015	G1/8" F-Ø 1,5	Nozzle
35	M20317	E12	Seeger ring
36	E50504	L = 450 mm	Thermocouple
37	M20208	-	Elastic washer
38	M20428	-	Stirrup
39	E50103	V10C	Safety thermostat
40	I40554	1/4"Fsx-3/8"Fsx-L=1,5m	Gas hose
41	T30341	8,5 kg - 3/8" G	Excess flow valve
42	T30332-GB	FI - IE - GB	Pressure regulator
42	T30332-US	SE - NO	Pressure regulator

42	T30332-D	AT-BG-CY-DK-DE-EE-LT-LV-MK-MT-RO-TR-BE-CZ-ES-FR-HR-HU-LU-PL-PT-SI-SK-IT-GR-NL	Pressure regulator
43	T30527	BE-CZ-ES-FR-HR-HU-LU-PL-PT-SI-SK	Fitting
43	T30529	IT-GR	Fitting
44	T30528	NL	Seal
45	I30810	1/4"F / Ø6 / 90°	Connection bicone
46	G03206	DX	Air flap