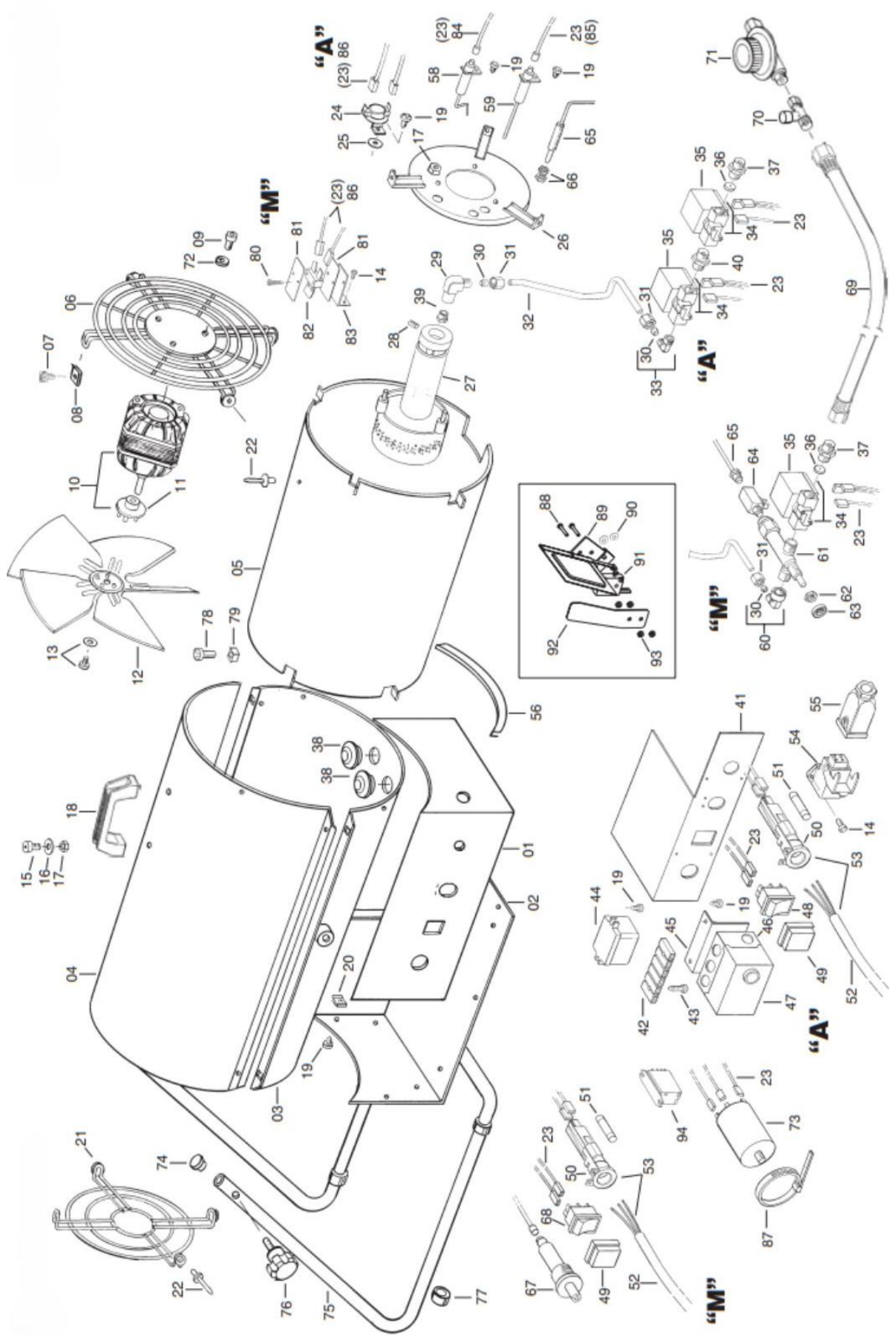


BM2 GP45M Direct Fired Space Heater





Pos.	Cod.	GP 45M	GP 45A	PART LIST
1	G01519 G01520	•		Base
2	G03029		•	Inspection door
3	G03030	•	•	Lower body
4	G01523	•	•	Upper body
5	G03031	•	•	Combustion chamber
6	G01384	•	•	Inlet grill
7	M10505	•	•	Screw TC8x1/2"
8	M20412	•	•	Elastic plate U42-182
9	M10317	•	•	Screw TCEI M4x8
10	E10547	•	•	Motor 82D 4025/7 230 V
11	C10102	•	•	Plastic coupling EMI
12	T10204	•	•	Fan Ø 300 20°
13	M10112	•	•	Screw (EMI)
14	M10501		•	Screw TC 4x3/8"
15	M10316	•	•	Screw TCEI M6 x 14
16	M20106	•	•	Washer Ø 6
17	M10704	•	•	Nut M6
18	C10202	•	•	Handle
19	M10508	•	•	Screw TC 8x3/8"
20	M20402	•	•	Elastic plate U42-032A
21	P30125	•	•	Stainless outlet grill
22	M20603	•	•	Rivet Al 4,9x9
23	E00138 E00301	•		Cable
24	E50102		•	Limit Thermostat
25	M20107		•	Washer Ø 5
26	G01198	•	•	Burner plate
27	G03005	•	•	Burner
28	M10603	•	•	Screw M5 x 8
29	I30609	•	•	Nozzle connection
30	I30809	•	•	Bicone Ø 6
31	I30808	•	•	Nut for bicone Ø 6
32	I40481	•	•	Gas supply pipe Ø 6
33	I30860		•	Connection 90° 1/4" Mx6
34	T30203	•	•	Solenoid valve 1/4 230V
35	T30204	•	•	Solenoid spool Parker 230 V
36	I30641	•	•	Diaphragm Ø 1,4
37	I30639	•	•	Connection OT 1/4 M dx-1/4" M sx
38	C30342	•	•	Protection cable Ø 18
39	T30407	•	•	Nozzle Ø 1,3
40	I20314		•	Screw 1/4" M - M
41	G03032		•	Electrical comp. drawer
42	E20305		•	Terminal board
43	M10503		•	Screw TC 4x7/8"
44	E10903		•	Transformer H. T.
45	G01005		•	Support
46	E40216		•	Box base Satronic DKG 972
47	E40215		•	Ctrl box Satronic DKG 972

48	E10102		•	Switch I - 0 - II	<i>PL 10/07</i>
49	E20402	•	•	Switch plastic profile	
50	E20307	•	•	Cable fastener	

Pos.	Cod.	GP 45M	GP 45A	PART LIST
51	E10306	•	•	Fuse 4 A
52	E30401	•	•	El. wire with plug
53	E30407	•	•	El. wire with plug and cable fastener
54	E20626		•	Thermostat plug
55	E20627		•	Plate plug
56	C30415	•	•	V seal
58	E10213	•	•	Ignition electrode
59	E10214		•	Ionisation electrode
60	I30810	•		Connection 90° 1/4" Fx6
61	T30313	•		Therموالve SIT
62	T30315	•		Nut M12 for valve SIT
63	T30314	•		Valve bush SIT
64	T30325	•		Breaker circuit thermoelement
65	E50501	•		Thermocouple
66	I31005	•		Nut M8 for Thermocouple
67	T30603	•		Piezo-igniter
68	E10110	•		Switch 0 - 1
69	I40554	•	•	Gas hose 1,5 m
70	T30307	•	•	Excess flow valve 6 Kg
*71	T30302-	•	•	Pressure regulator
72	M20301	•	•	Washer grower Ø 4
73	E11135		•	Anti-jamming filter DEM
74	C30316	•	•	Plug Ø 18
75	P20142	•	•	Frame
76	C10708	•	•	Chassis screw
77	C30313	•	•	Plug
78	M10113	•	•	Screw TCEI M5 x 10
79	M20408	•	•	Nut M5
80	M10502	•		Screw TC 4x3/4"
81	T10621	•		Insulating profile
82	E50103	•		Overheat thermostat
83	G01652	•		Support
84	E00206 E00150		•	Switching cable
85	E00302	•	•	Ionization cable
86	E00187	•	•	Thermostatic capsule cable
87	E20805		•	Hose clamp
88	M10120		•	Screw TC M2x14
89	G03003		•	Switch support
90	M20125		•	Washer Ø2xØ5x0,5 mm
91	E10441		•	Switch
92	G03002		•	Stirrup
93	M10715		•	Nut M2
94	E11146		•	Relay Finder 55.32 V230

