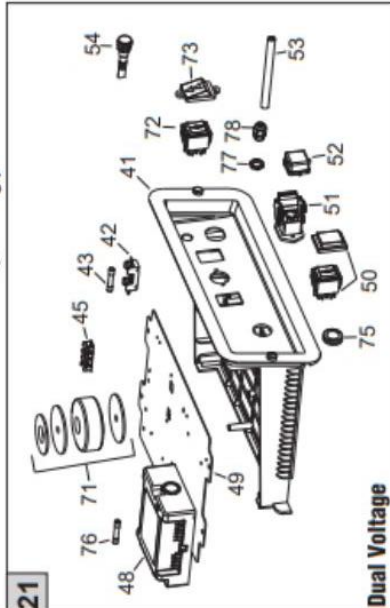
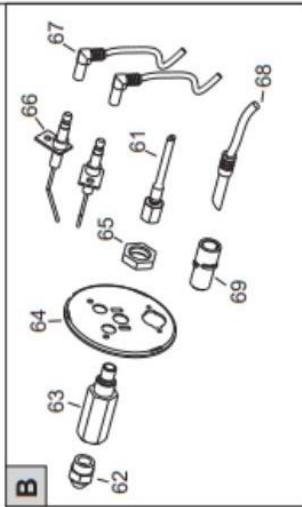
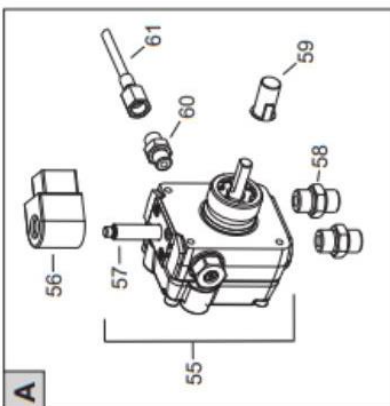
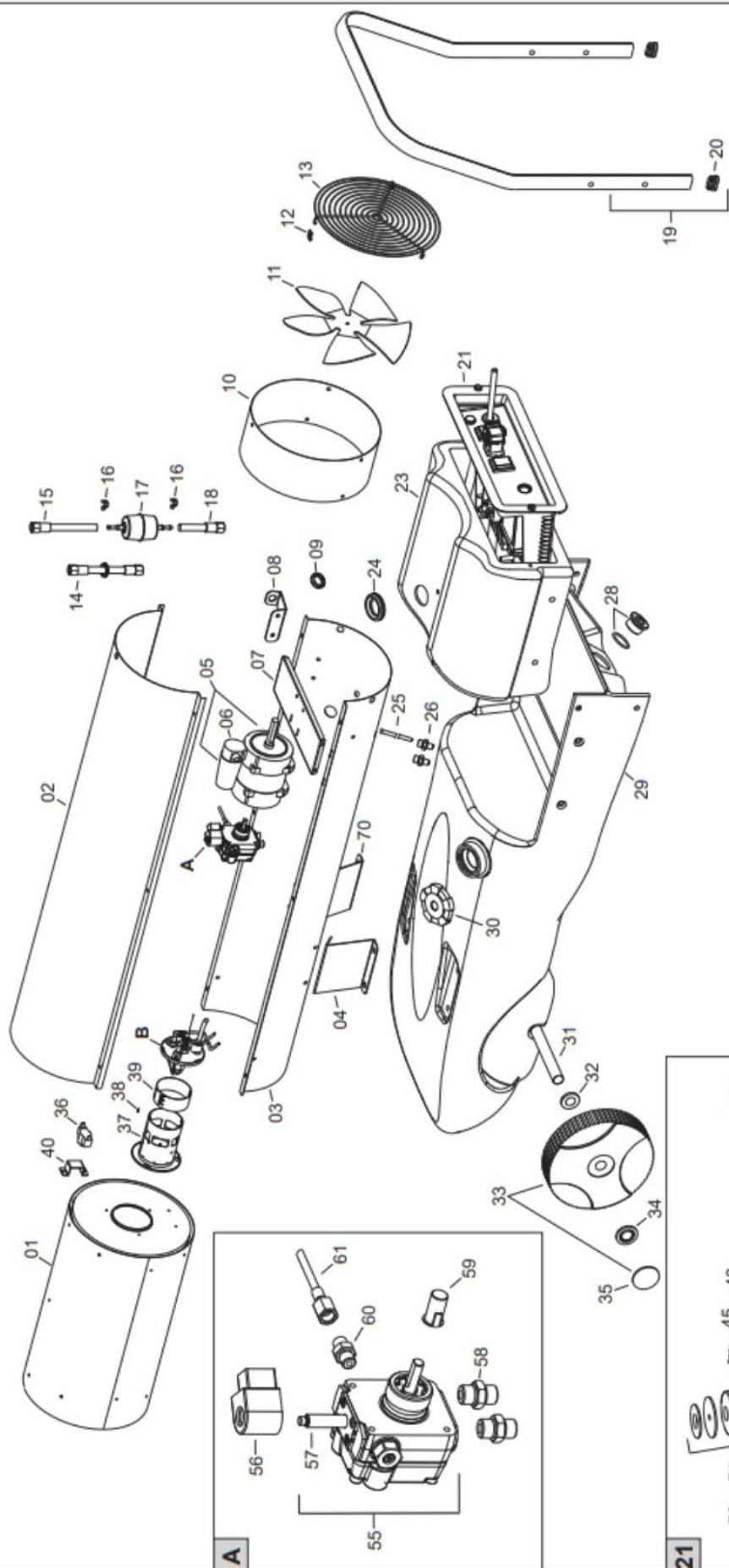


# BM2 GE46 Direct Diesel/Kerosene Space Heater HRP00031





Dual Voltage

PL 01/18			From S/N
POS	P/N	LEGENDA	DESCRIPTION
01	G06274		Combustion chamber
02	G06062-3001	-	Upper body
03	G06276-3001	-	Lower body
04	G06065-9005	SX	Chassis support bracket
05	E10692	200 W - 230V - 50Hz	Motor
06	E11246	6,3 µF	Capacitor
07	G06217	-	Motor support bracket
08	G06068-9005	-	Power cord support
09	C30352	Ø 15mm - Ø22 mm	Cable protection
10	G06070-3001	-	Air conveyor
11	T10207	Ø 300 18°	Fan
12	M20412	U42-182 B	Lock plate
13	P30165	-	Inlet grill
14	I40328	L = 300mm - 1/4" FF	Flex diesel pipe
15	I40327	L = 180mm - 1/4" FF	Flex diesel pipe
16	C30729	Ø12,5 - 14,5/6 CLIC120	Clip
17	I30414	Ø6 - Ø8	Filter
18	I40326	L = 85mm - 1/4" FF	Flex diesel pipe
19	P20173-9005	-	Handle
20	C30361	15x30	Pipe cap
21	G00309-DV	-	El. control box
23	P50129	-	Control box cover
24	C30372	Ø 25,4mm - Ø34,9 mm	Cable protection
25	I30696	L = 220mm	Suction pipe
26	I30737	1/4" M - M12x1,75 M	Brass fitting
28	C30380	M30x1,5	Drain cap
29	P50130	42 l	Fuel tank
30	C30356	Ø 76	Tank cap
31	P20179-9005	Ø 20	Wheel axle
32	M20110	Ø21 x Ø37 x 3	Washer
33	C10543	Ø 200 - Ø 20,5	Wheel
34	M20203	Ø 20	Elastic washer
35	C10513-R	Ø 200 - 250	Red wheel cover
36	E50109	-	Safety thermostat
37	G06401	-	Blast tube
38	E20671	6,3x0,8 mm	Terminal board
39	G06260	-	Air adjustment shutter
40	G06221	-	Thermostat support bracket
41	G06155	-	El. control box panel
42	E20508	6 x 32	Fuse holder
43	E10307	6x30 - 6,3A - T	Fuse
45	E20319	-	Ground terminal board
48	E40151	REDGUN01 - 230V	Flame control box
49	G06073	-	Support plate

PL 01/18			From S/N
POS	P/N	LEGENDA	DESCRIPTION
50	E10102-P	I - 0 - II	Switch
51	E20640	3P+T	Thermostat plug
52	E20665	-	Thermostat plug cover
53	E30445-1	L = 1,5m - UK	Power cord
54	E11030	230V	Lamp

#### DANFOSS

55	T20450	DANFOSS BFP21 R3	Diesel pump
56	T20114	DANFOSS BFP11-21 - 230V	Solenoid coil
57	T20117	DANFOSS BFP11-21	Solenoid valve body

#### SUNTEC

55	T20456	SUNTEC CSV 30	Diesel pump
56	T20458	SUNTEC CSV 30 - 230 V	Solenoid coil
57	T20461	SUNTEC CSV	Solenoid valve body

58	I20104	1/4"M - 1/4"M	Iron fitting
59	E10698	SIMEL	Motor-pump coupling
60	I20115	1/8"M - 1/8"M	Iron fitting
61	I40192	L = 250mm 1/8"F - 1/8"F	Micropipe
62	T20315	DANFOSS 0,85 GPH 80° S	Nozzle
63	I33007	-	Nozzle support
64	G06267	-	Burner support disc
65	I31034	M14	Brass lock nut
66	E10248	-	Ignition electrode
67	G02078	L = 1000 mm	H.T. Cable connect.
68	E50331	GIORDANO FI02 L = 1m - Black	Phototransistor
69	E50327-50	D 10	Photoresistor support
70	G06088-9005	DX	Chassis support bracket
71	E10836	400 VA -0/110/230V	Autotransformer
72	E10110N-P	0 - I	Switch
73	E20406	-	Switch cover
75	E20418	-	Stop button protection
76	E10303	5x20 - 10A - T	Fuse
77	E20965	PG 13,5	Cable fastener nut
78	E20964	PG 13,5	Cable fastener