

SPARE PARTS LIST

f o r

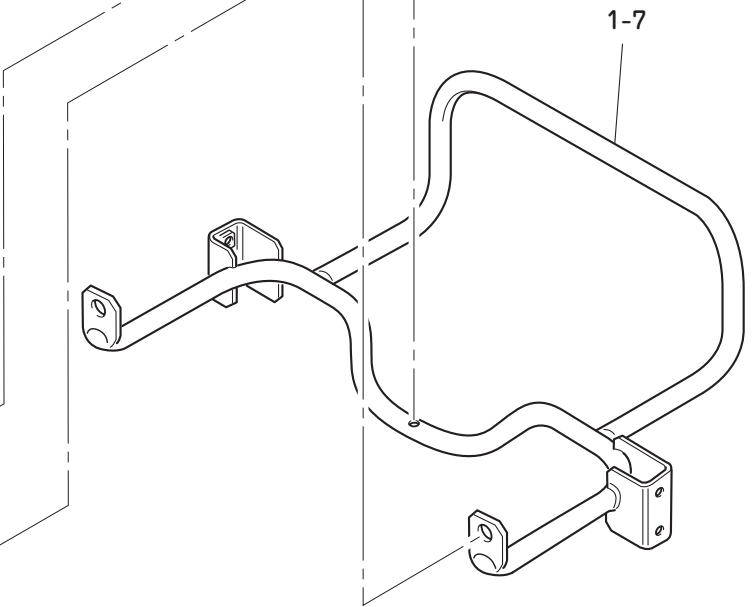
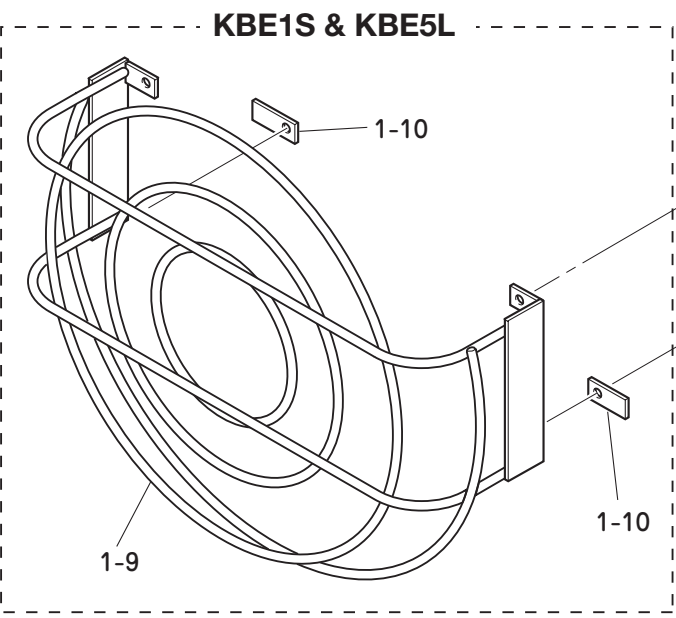
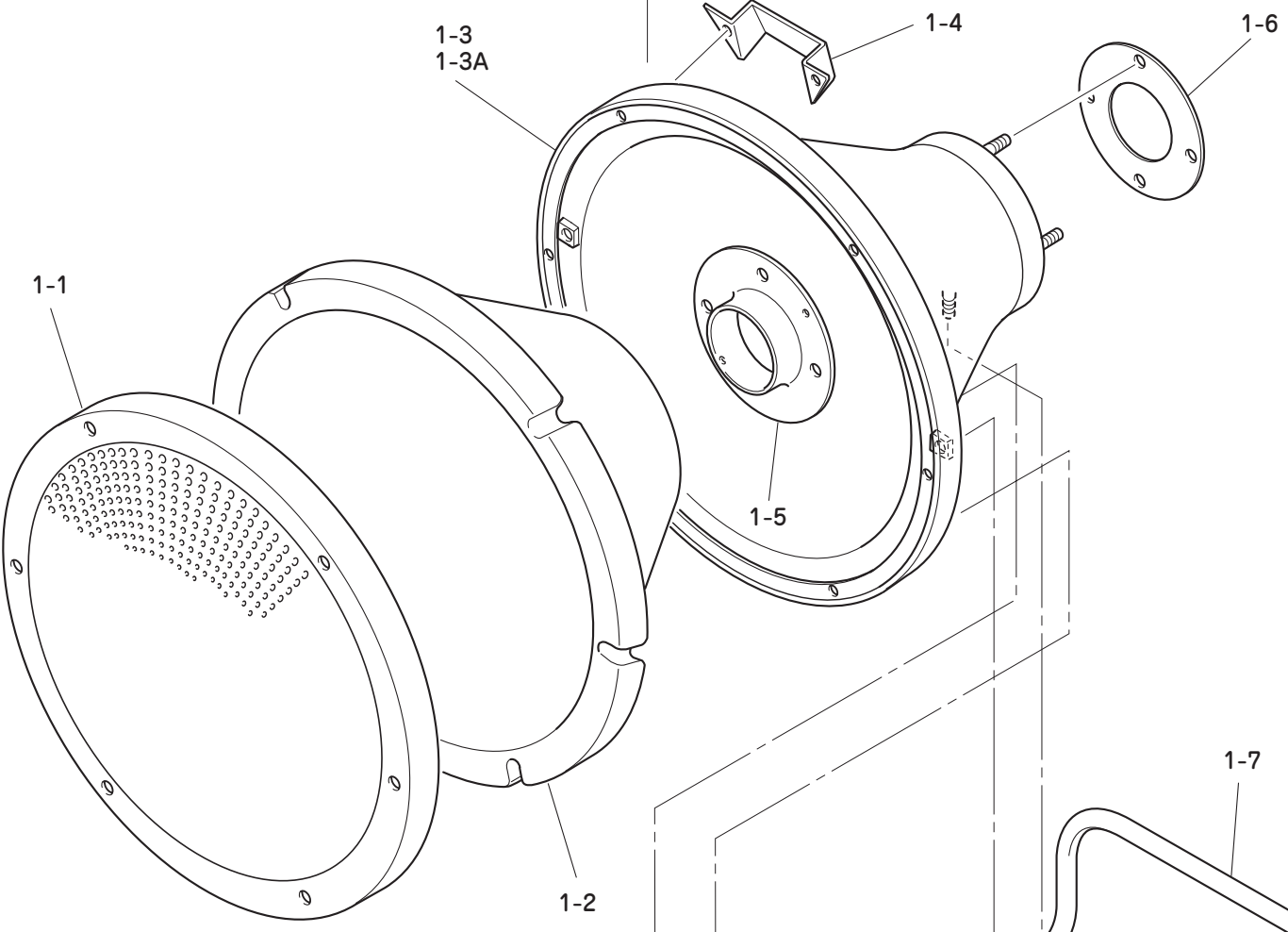
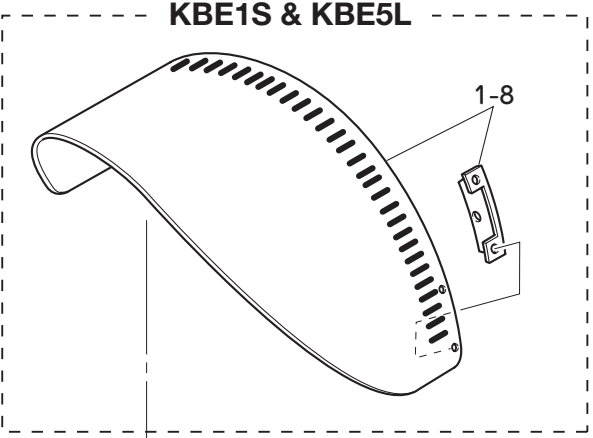
Infrared oil heater

Model

VAL6

Type

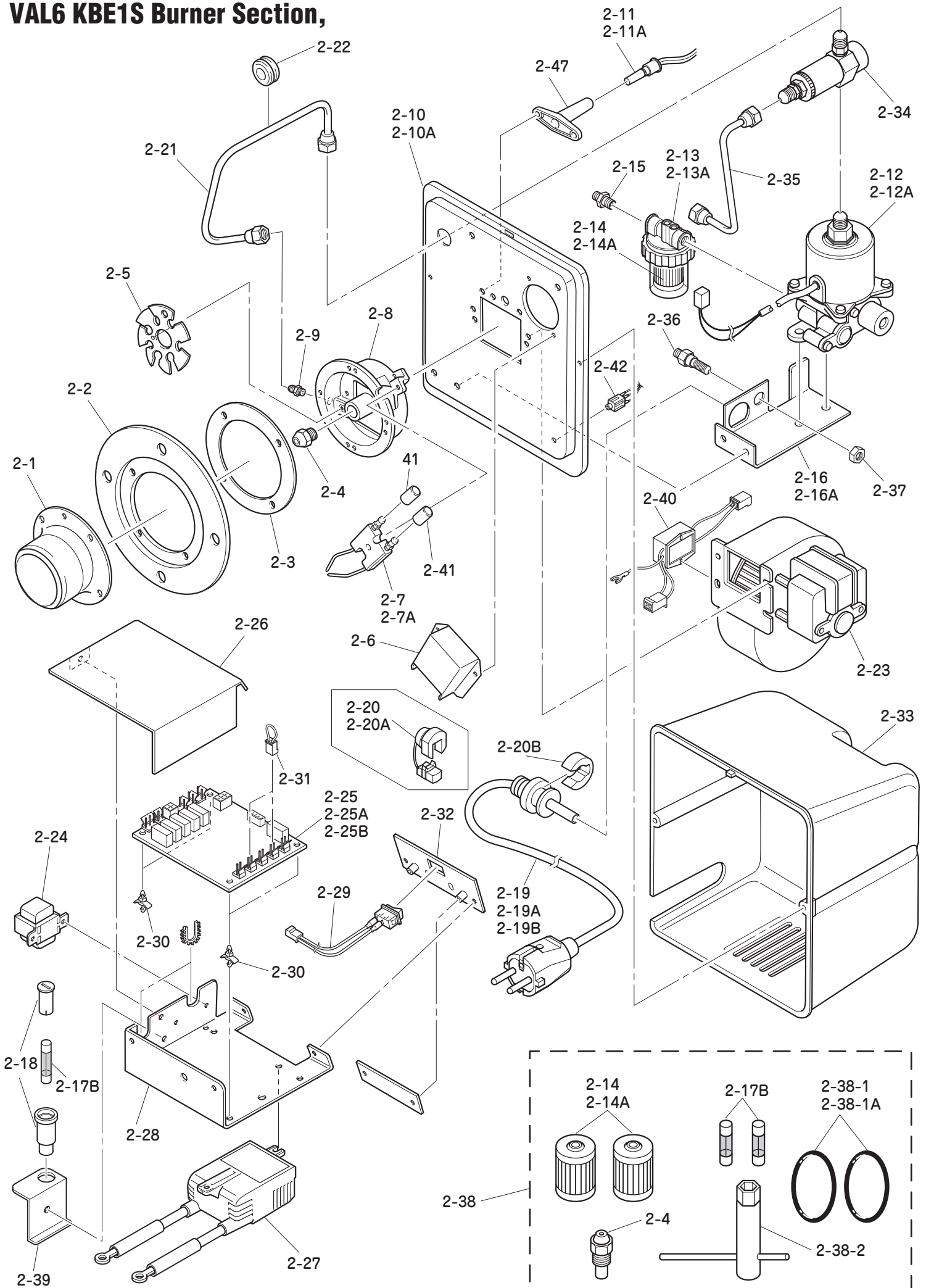
- ◆ KBE5S for 120V 60Hz
- ◆ KBE5L for 120V 60Hz
- ◆ KBE1S for 230V 50Hz



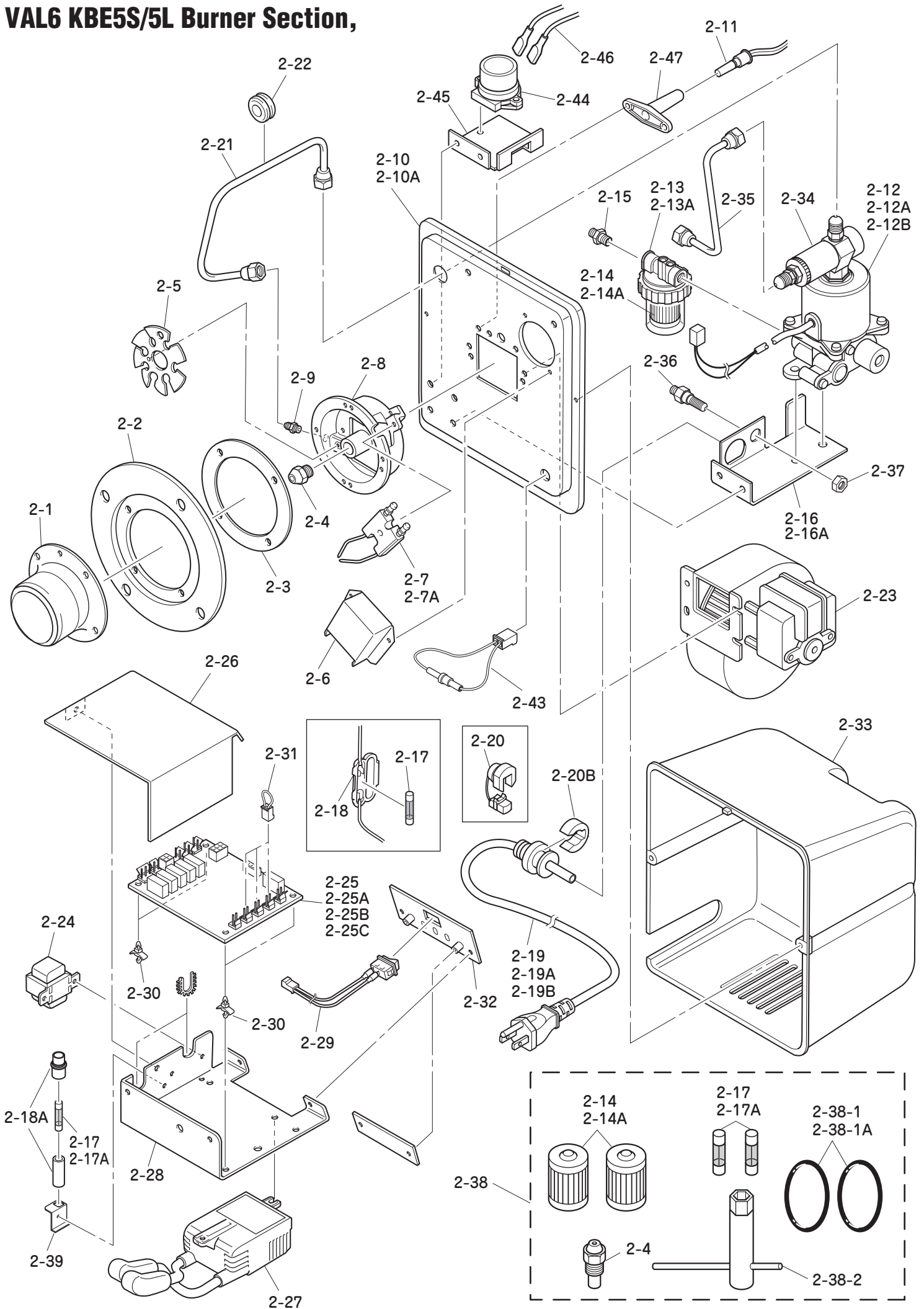
VAL6 KBE1S/5S/5L Radiation Section,

PART NO.	PART NAME	<RADIATION UNIT>	CODE NO.	Q'TY /SET	KBE5S	KBE5L	KBE1S		REMARKS
1-1	RADIATION DISK	放射ディスク	21022 0001-1	1	●	●	●		
1-2	CONICAL INSULATOR	燃焼室	50298 203001	1	●	●	●		
1-3	CONICAL HOUSING	テーパ管	50298 103003	1	N/A	N/A	N/A		5L,1S: till 2005/2006, 5S: changed to 50300180001
			50300 180001	1	●				4
1-3A			50330 103004	1		N/A	N/A		Changed to 50330180001
			50330 180001	1		●	●		4
1-4	CAUTION LABEL PLATE	表示取付板	50298 203005	1	●	●	●		高温注意ラベル(50300203002)付板共通
1-5	BURNER FITTING PIECE	バーナ取付板	21022 0001-5	1	●	●	●		
1-6	BURNER PACKING	バーナパッキン	50298 201016	1	●	●	●		
1-7	BURNER SUPPORT	バーナサポート	50300 103002	1	●	●	●		塗装色黒
1-8	VISOR	バイザー組立	50330 103002	1		●	●		used in units from 06/07 fixed to No.1-3A including visor fitting piece
1-9	PROTECTOR ASSEMBLY	プロテクタ組立	50330 103003	1		●	●		used in units from 06/07, fixed to No.1-3A
1-10	RETAINER PLATE	プロテクタ押え金具	50330 203006	2		●	●		used in units from 06/07, fixed to No.1-3A

VAL6 KBE1S Burner Section,

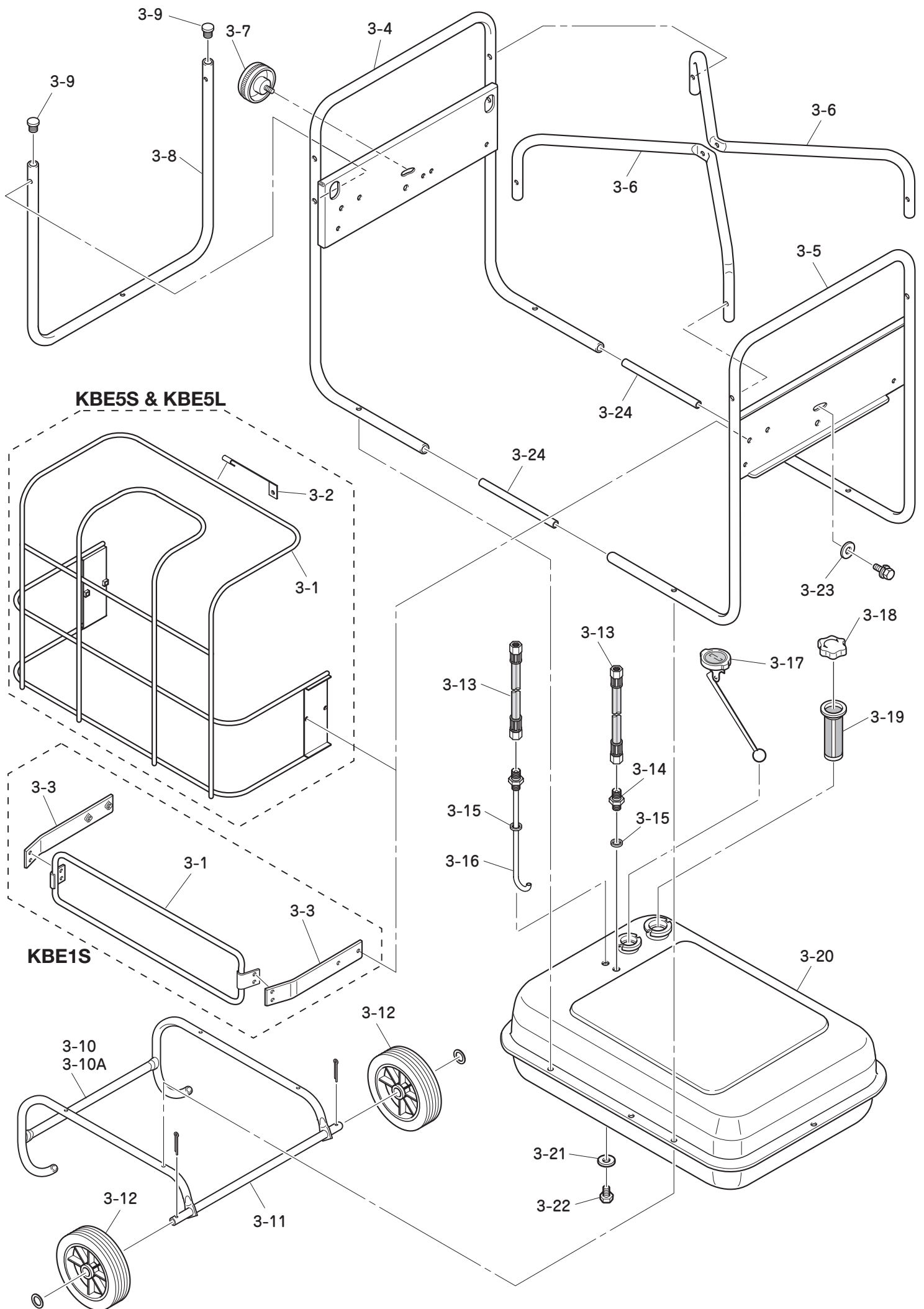


VAL6 KBE5S/5L Burner Section,



PART NO.	PART NAME	<BURNER>	CODE NO.	Q'TY/ /SET	KBE5S	KBE5L	KBE1S		REMARKS
2-1	BURNER CONE	ドラフトチューブ	50300 201017	1	●	●	●		
2-2	BURNER FLANGE	バーナフランジ	50300 201008	1	●	●	●		
2-3	DIFFUSER PACKING	ディフューザーパッキン	50298 201020	1	●	●	●		
2-4	NOZZLE	ノズル	50300 201018	1	●	●	●		0.85G 60°
2-5	WHIRL VANE	旋回羽根	50300 201007	1	●	●	●		
2-6	ELECTRODE COVER	エレクトロードカバー	50298 201008	1	●	●	●		
2-7	ELECTRODE	エレクトロード	50262 202010	1	●		●		till 2004/2005
2-7A			50303 201010	1	●	●	●		from 2005/2006
2-8	DIFFUSER	ディフューザー	50284 202007	1	●	●	●		
2-9	NOZZLE NIPPLE	ノズルニップル	50217 202052	1	●	●	●		
2-10	BURNER BASE	バーナベース	50298 201001	1	●		●		5S: till 2004/2005, 1S: till 2001/2002
2-10A			50303 201012	1	●	●	●		5S: from 2005/2006, 1S: from 2002/2003
2-11	FLAME MONITOR COMPLETE	フレームアイ	50262 102008	1	●	●	●		1S: till 2005/2006 WITH 2-47 FLAME MONITOR HOLDER
2-11A			50306 101003	1			●		from 2006/2007 W/O FLAME MONITOR HOLDER
2-12	FUEL PUMP without Air vent valve	電磁ポンプ エア抜き弁無	50300 201A06	1	N/A				till 2005/2006
			50303 201A03	1			N/A		till 2005/2006 changed to 50303201A13
2-12A	FUEL PUMP with Air vent valve	電磁ポンプ エア抜き弁付	50300 201006	1	N/A				till 2005/2006 changed to 50330201003
	FUEL PUMP without Air vent valve	電磁ポンプ エア抜き弁無	50303 201A13	1			●		from 2006/2007
2-12B	FUEL PUMP with Air vent valve	電磁ポンプ エア抜き弁付	50330 201003	1	●	●			KBE5S: from 2006/2007
2-13	FUEL FILTER COMPLETE	オイルストレーナ	21021 0003-9	1	●	●	●		till 2004 太洋製, f rom 2007 (オンダ 製) including 21021003-10太洋製
2-13A			50204 201085	1	N/A	N/A	N/A		from 2004/2005,P-03 till 2006/02007
2-14	FILTER ELEMENT	エレメント	21021 003-10	1	●	●	●		
2-14A			50204 201082	1	N/A	N/A	N/A		from 2004/2005,P-03 till 2006/02007
2-15	FILTER NIPPLE	ストレーナニップル(アダプタ)	22031 001-43	1	●	●	●		
2-16	PUMP BRACKET	ポンプ取付板	50300 201003	1	●	●	●		till 2006/2007
2-16A			50300 201034	1	●	●	●		from 2007/2008
2-17	FUSE (3A)	ヒューズ	50204 201061	1	●				till 2003/2004,Q-02
2-17A			50300 201026	1	●	●			from 2003/2004,Q-03, discontinue from April 2008, as replacement parts.
2-17B			50291 201006	1			●		
2-18	FUSE HOLDER	ヒューズホルダー	50217 202034	1	●				till 2003/2004,Q-02
			50291 201004	1			●		
2-18A			50300 201024	1	●	●			from 2003/2004,Q-03
2-19	POWER CABLE including plug	電源コード	50300 201019	1	●				till 2003/2004,Q-02
			50303 201005	1			●		include plug, till 03/04
			50300 201027	1	●	●			from 2003/2004,Q-03,
2-19A			50303 2A1005	1			N/A		with mold plug, include 2-20A, from 2004/2005, changed to 503032B1005
2-19B			50300 2A1027	1	●	●			from 2006/2007, length 500mm include 2-20B
	50303 2B1005	1			●		from 2006/2007, include 2-20B		
2-20	CABLE STOPPER	ケーブルストップバー	50221 2A2028	1	●	●	●		till 2003/2004
2-20A			50305 201002	1			●		from 2004/2005 till 05/06
2-20B			50205 201017	1	●	●	●		from 2006/2007
2-21	FUEL OUTLET LINE	吐出銅パイプ	50300 201009	1	●	●	●		
2-22	PUMP NOZZLE GROMMET	銅パイプ用ブッシュ	21022 003-25	1	●	●	●		
2-23	FAN MOTOR	燃焼ファンモータ	50300 201004	1	●	●			
			50303 201001	1			●		
2-24	STEP DOWN TRANSFORMER	変圧トランス	50300 201005	1	●	●			
			50291 201002	1			●		
2-25	BURNER CONTROL	バーナコントロールリレー	50291 201001	1	N/A		N/A		till 2004/2005 changed to 50321204005
2-25A			50321 204003	1	N/A	N/A	N/A		from 2005/2006 changed to 50321204005
2-25B			50321 204005	1	●	●	●		from 2006/2007
2-25C			50300 201032	1	●				from 2006/2007 J-04, over voltage
2-26	BURNER CONTROL COVER	バーコンカバー	50298 201019	1	●	●	●		
2-27	IGNITION TRANSFORMER	点火トランス	50298 201006	1	●	●			
			50303 201002	1			●		
2-28	CONTROL CHASSIS	バーコン取付板	50300 201001	1	●	●	●		from 2007/2008 I-01 include 2-39 Fuse holder bracket
2-29	SWITCH ASSEMBLY	運転スイッチ組立	50299 104005	1	●	●	●		
2-30	CONTROL SUPPORT	基板サポート	50229 201037	4	●	●	●		

PART NO.	PART NAME <BURNER>		CODE NO.	QTY /SET	KBE5S	KBE5L	KBE1S	REMARKS	
2-31	SHORT CIRCUIT CORD	短絡コード(赤)	50249 203047	3	●		●	5S: till 2004/05, 1S: till 2001/02	
				2			●	from 2002/2003 till 2004/2005	
				1	●	●	●	from 2005/2006	
				0	●	●		5S&5L; from '06/'07(I-01 lot) NO short circuit cord is needed	
2-32	FACE PLATE	スイッチ板	50300 201002	1	-	-	-	KBE5S; till 2007	
				50300 101006	1	●			from 2008 with face label
				50303 101006	1		●	●	from 2008 with face label
2-33	BURNER COVER	バーナカバー組立	50300 101005	1	●			from 2006/2007 black color	
				50330 101002	1		●		from 2006/2007 black color
				50303 101003	1			●	from 2006/2007 black color
2-34	AIR VENT VALVE	自動エア抜弁	21062 003-67	1	●	●	●		
2-35	RETURN LINE	モトリ銅パイプ	50300 201014	1	●	●	●		
2-36	RETURN LINE NIPPLE	モトリニップル	50300 201015	1	●	●	●		
2-37	NIPPLE FITTING NUT	ニップル固定ナット	21300 503-58	1	●	●	●		
2-38	REPAIR SET	部品セット	50300 103-83	1	●	●			
				50303 203-83				●	
2-38-1	O-RING	オーリング	21021 003-13		●	●	●		
2-38-1A				50204 201083		N/A	N/A	N/A	from 2004/2005 P-03, changed to 21021003-13
2-38-2	NOZZLE SPANNER	ノズルレンチ	21022 003-68		●	●	●		
2-39	FUSE HOLDER BRACKET	ヒューズホルダ固定版	50300 201025	1	●	●		FROM 2003/2004, Q-03 In case of product before 2002/2003, M4x8FT truss screw is required.	
				50303 201004	1			●	Discontinued from 2007/2008 L-01 Discontinued from 2007/2008
2-40	NOISE FILTER	ノイズフィルタ	50303 201011	1			●	till 2005/2006	
2-41	INSULATING CAP	絶縁キャップ	50291 201016	2			●		
2-42	JACK	ジャック	50306 201002	1			●	from 2002/2003	
2-43	THERMOSTAT CABLE	サーモコード	50300 201029	1	●	●		from 2005/2006	
2-44	TIP-OVER SWITCH	転倒スイッチ	50298 202015	1	●	●			
2-45	TIP-OVER SWITCH BRACKET	転倒スイッチ取付板	50300 201035	1	●	●			
2-46	TIP-OVER SWITCH CORD	転倒スイッチ接続コード	50300 201036	1	●	●			
2-47	FLAME MONITOR HOLDER	フレームホルダー	50262 202029	1	●	●	●		



VAL6 KBE1S/5S/5L Tank Section,

PART NO.	PART NAME	<FUEL TANK>	CODE NO.	Q'TY /SET	KBE5S	KBE5L	KBE1S		REMARKS
3-1	PROTECTOR ASSEMBLY	プロテクタ組立	50300 102007	1	●	●			5L: used in units till 2005/2006
			50219 103004	1			●		used in units till 2005/2006
3-2	PROTECTOR SUPPORT	プロテクタ補強板	50300 202007	1	●				
			50330 202013	1		●			used in units till 2005/2006
3-3	PROTECTOR BRACKETT	プロテクタアーム	50298 202012	2			●		used in units till 2005/2006
3-4	FRAME (R)	フレーム(右)	50300 102004	1	●		●		from 2007/2008 sharp edged pipe,
			50330 102004	1		●			no need for 3-24 pipe connection
3-4A			50330 102009	1		●			from 09/10 G-02 lot
3-5	FRAME (L)	フレーム(左)	50300 102005	1	●		●		from 2007/2008 sharp edged pipe,
			50330 102005	1		●			no need for 3-24 pipe connection
3-5A			50330 102010			●			from 09/10 G-02 lot
3-6	FRAME CONNECTION PIPE	フレーム連結パイプ	50303 202006	2	●		●		
			50330 202007	2		●			
3-7	KNOB BOLT	ノブボルト	50229 202074	1	●	●	●		
3-8	HANDLE	ハンドル	50300 202004	1	●		●		
			50330 202008	1		●			
3-9	PIPE END CAP	パイプエンド	50298 202013	2	●		●		
			50330 202009	2		●			
3-10	TANK LEG	車輪受組立	50300 102006	1	●		●		5S;till 2003/2004, 1S;till 2006/2007
3-10A			50300 102011	1	●		●		5S;from 2004/2005, 1S;from 2007/2008
3-10			50330 102006	1		●			
3-11	WHEEL SHAFT	車軸	50300 202008	1	●		●		
3-12	WHEEL	車輪	50201 204006	2	●	●	●		
3-13	FUEL HOSE	ホース	50300 202009	2	●	●	●		
3-14	RETURN NIPPLE	リターンニップル	50212 205004	2	●	●	●		
3-15	SUCTION PACKING	サクションパッキン	21650 100207	2	●	●	●		
3-16	SUCTION PIPE ASSEMBLY	サクション組立	50300 102008	1	●		●		including 3-14 & 3-15
			50330 102007	1		●			
3-17	FUEL GAUGE	オイルゲージ	50300 202018	1	●		●		
			50278 102003	1		●			
3-18	TANK CAP	タンクキャップ	50221 103003	1	●	●	●		
3-19	TANK INLET FILTER	タンクフィルタ	22011 0002-8	1	●	●	●		till 07/08
					-	-	●		from 08/09 H-01, 5S&5L: Discontinued
3-20	FUEL TANK	タンク	50300 102002	1	●		●		22
			50330 102002	1		●			5S&5L: with 3-17, 3-18, 3-21 & 3-
3-21	DRAIN PACKING	ドレンパッキン	50231 204021	1	●	●	●		M16
3-22	DRAIN BOLT	ドレンボルト	50231 204020	1	●	●	●		M16
3-23	GASKET	ガスケット	21300 5002-9	1	●	●	●		M8
3-24	PIPE CONNECTION	パイプ継ぎ	50300 202025	2	●				from 2004/2005 P-02, Discontinued from 2007/2008 I-01
			50330 202016	2		●			Discontinued from 2007/2008 I-01
Option	SHIELDING MAT(10pieces pack)	ミレーシト(10枚入り)	50300 205001						