

SPARE PARTS LIST

f o r

Infrared oil heater

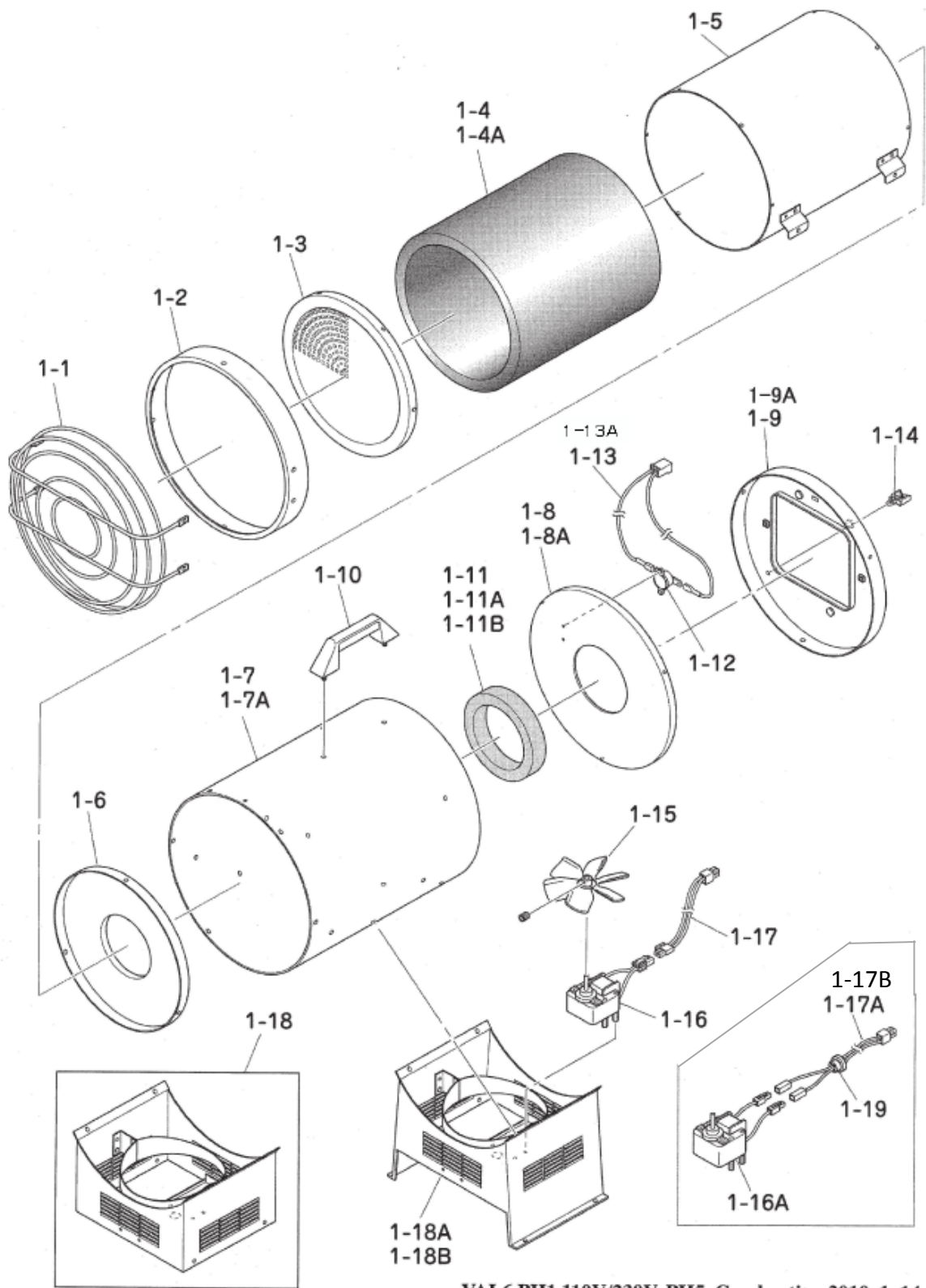
Model

VAL6

Daystar

Type

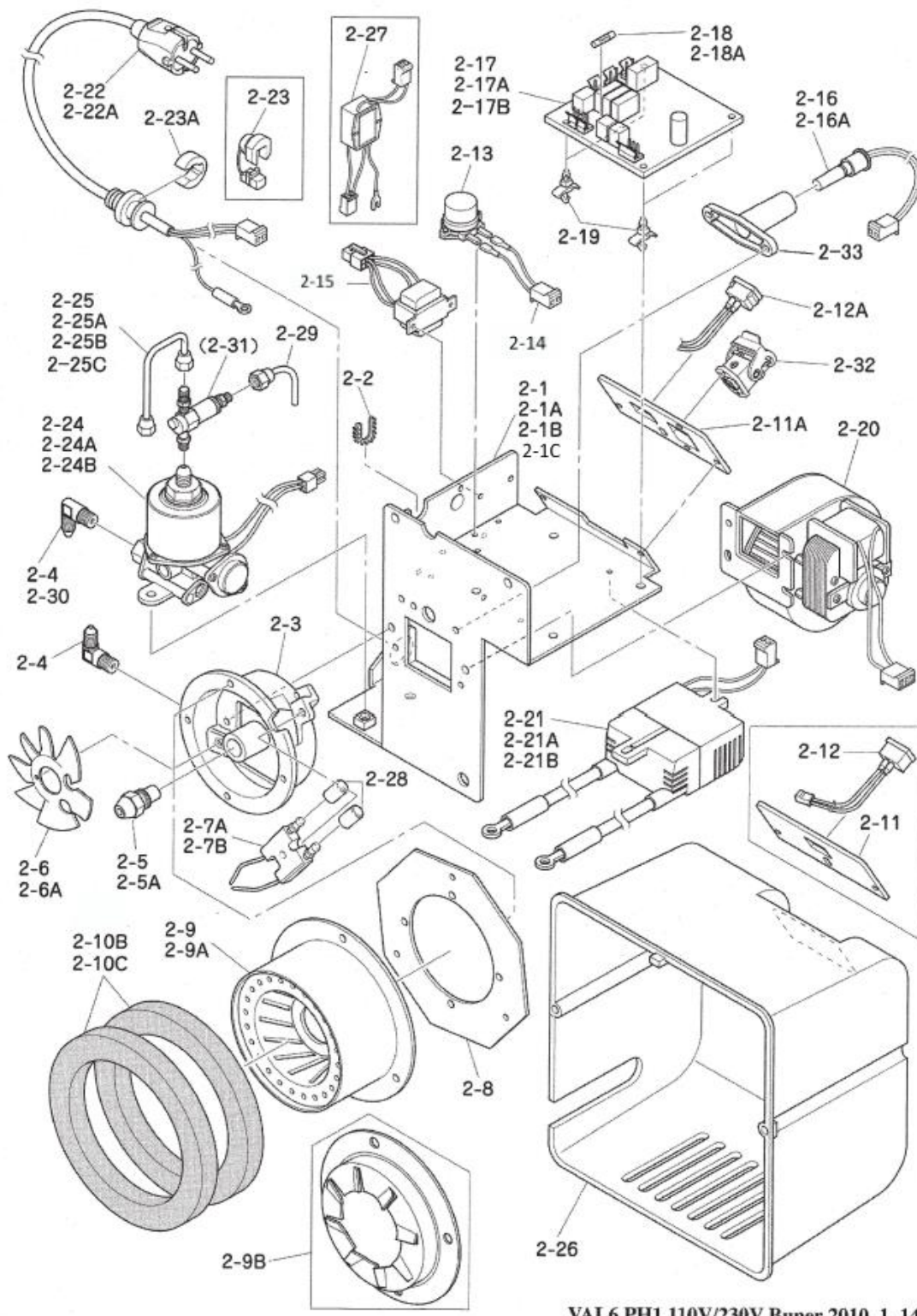
- ◆ PH1 for 110V 50Hz
- ◆ PH1 for 230V 50Hz



VAL6 PH1 110V/230V, PHS Combustion 2010. 1. 14

□-mark means that the parts supply period is over and there are limited numbers of stock.

Part No.	PART NAME < COMBUSTION >	CODE NO.	Q'TY /SET	PH1		REMARKS	Optimum Volume
				110V	230V		
1-1	Protector Assembly	50317101004	1	●	●		
1-2	Drum Front Ring	50319201002	1	●	●		
1-3	Radiation Disk	50317201002	1	●	●		10cs(35*35*15)
1-4	Insulator	50317201004	1	□	□	230V: till 2009, G-01	5cs(65*65*33)
1-4A		50317201012	1	●	●	230V: from 2009, G-02 110V: from 2010, F-01	2pcs(50*50*38)
1-5	Outer Cylinder	50317101003	1	●	●		
1-6	Cylinder End	50310201012	1	●	●	230V: discontinued from 2009, G-02 110V: discontinued from	
1-7	Drum	50317201001	1	N/A	N/A	till 2005	
1-7A		50317201008	1	●	●	from 2006(N-02), 50317201006 w/ name label	
1-8	Heat Shield Plate	50310201008	1	□	□	230V: till 2009, G-01 110V: till 2009	
1-8A		50317201011	1	●	●	230V: from 2009, G-02 110V: from 2010, F-01	
1-9	Drum End	50317201003	1	N/A	N/A	till 2009(G-01)	
1-9A		50317201014	1	●	●	from 2010(F-01)	
1-10	Grip	50310201022	1	●	●		
1-11	Burner Cone Packing	50310201021	1	□	□	till 2005	
1-11A	Burner Draft Packing	50317201009	1	□	□	used for burner 230V: from 2006, N-02 till 2009, G-01 110V: from 2006, J-01 till 2009	
1-11B	Combustion Chamber Packing	50317201013	1	●	●	230V: from 2009, G-02 110V: from 2010, F-01	
1-12	Overheat Sensor	50229202061	1	●	●	A80	
1-13	Overheat Sensor Cable	50310201024	1	●	●		
1-14	Cable Clip	50310201025	1	●	●		
1-15	Blower Fan	50310201020	1	●	●		
1-16	Blower Motor	50310201019	1	●		till 2009, G-01	
1-16A		50319201001	1		□	till 2008	
		50317201010	1	●		from 2009, G-02	
		50319201003	1		●	from 2009, G-01	
1-17	Relay Cable	50310202018	1	□	□	230V: till 2008 110V: till 2009, G-01	
1-17A		50317203019	1	●	●	230V: from 2009, G-01 110V: from 2009, G-02	
1-18	Drum Base	50319101003	1		N/A	till 2004	
1-18A		50317103009	1	□	□	from 2005, N-01 230V: till 2008 110V: till 2009, G-01	
1-18B		50317103012	1	●	●	230V: from 2009, G-01 110V: from 2009, G-02	
1-19	Motor Cord Bushing	50320202018	1	●	●	230V: from 2009, G-01 110V: from 2009, G-02	



VAL6 PH1 110V/230V Buner 2010. 1. 14

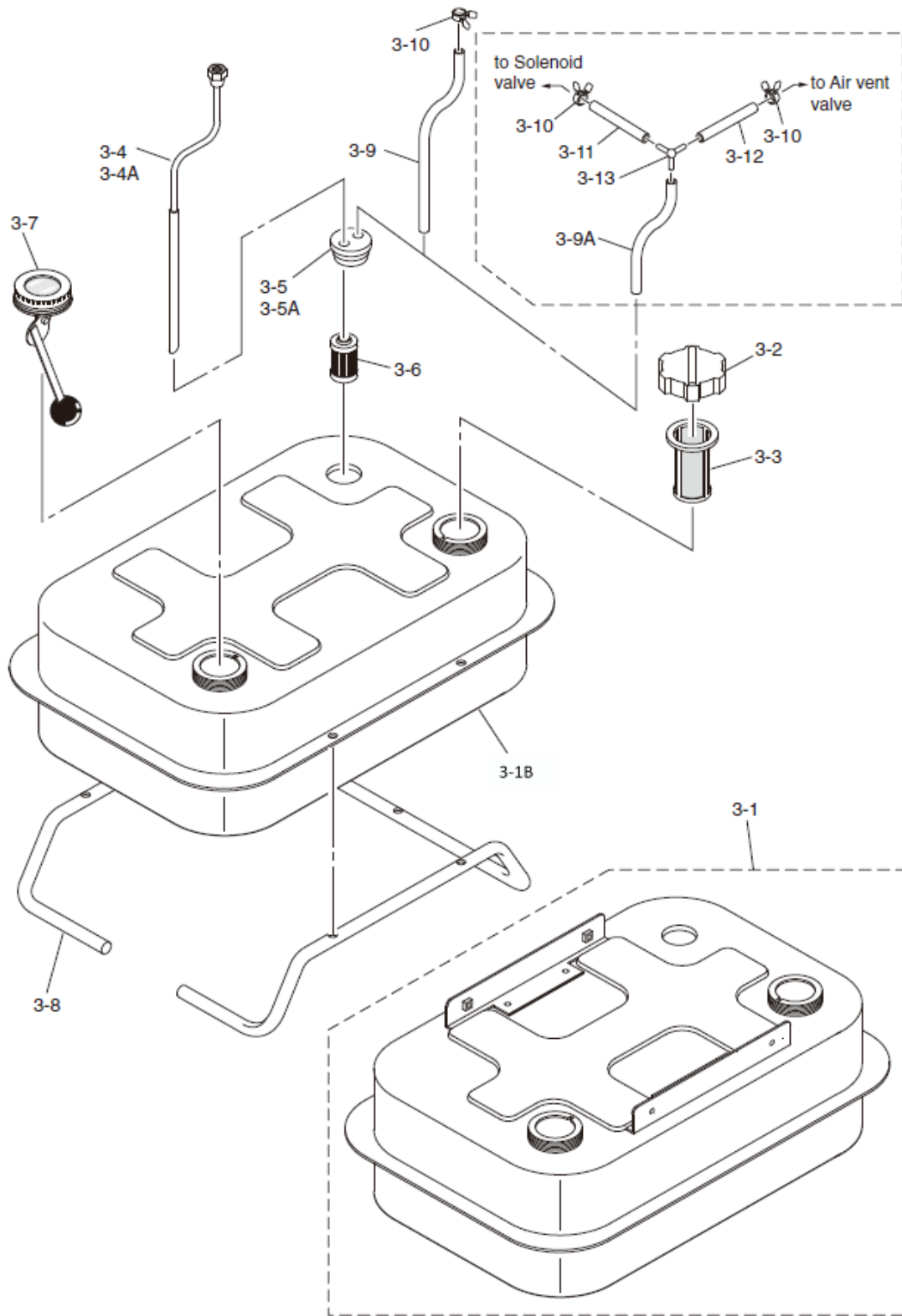
□-mark means that the parts supply period is over and there are limited numbers of stock.

Part No.	PART NAME <BURNER>	CODE NO.	QTY /SET	PH1		REMARKS	Optimum Volume
				110V	230V		
2-1	Burner Base	50319102004	1	N/A	N/A	till 2005	
2-1A		50319102005	1		N/A	for 2006 (N-02&N-03)	
2-1B		50319102007	1	●	●	from 2006, J-01 till 2009, G-03	
2-1C		50319102011	1	●	●	from 2010, F-01	
2-2	Free Grommet	50263202010	1	●	●		
2-3	Diffuser	50262202001	1	●	●		
2-4	Pump Nipple	50204201025	2	●	●	1 pc from 2006, N-02	
2-5	Nozzle	50317202010	1	□	□	till 2005	
2-5A		50319202013	1	●	●	from 2006 (N-02)	
2-6	Whirl Vane	50300201007	1	N/A	N/A	discontinued from 2008	
		50319202024	1	□	□	from 2008 (H-01) 230V: till 2009, G-01 110V: till 2009	
2-6A		50319202027	1	●	●	230V: from 2009, G-02 110V: from 2010, F-01	
2-7A	Electrode	50303201010	1	●	●	for 2005, N-01	
2-7B		50319202017	1	●	●	from 2006 (N-02)	
2-8	Burner Cone Bracket	50310202004	1	●	●	230V: discontinued from 2009, G-02 110V: discontinued from 2010	
2-9	Burner Cone	50317102005	1	□	□	till 2005	
2-9A		50319102006	1	□	□	230V: from 2006, N-02 till 2009, G-01 110V: from 2006, J-01, till 2009	
2-9B		50319202026	1	●	●	230V: from 2009, G-02 110V: from 2010, F-01	
2-10*	Burner Packing	50310202014	1	N/A	N/A	till 2005 (N-lot)	
2-10A	Burner Draft Packing	50317201009	2	N/A	N/A	same as 1-11A, from 2006 (N-02)	
2-10B	Burner Packing	50319202025	2	N/A	N/A	from 2008(H-01) 230V: till 2009, G-01 110V: till 2009	
2-10C		50319202028	1	●	●	230V:from 2009,G-02 110V: from 2010, F-01	
2-11	Face Plate With Sticker	50317102009	1	N/A	N/A	till 2006,N-03	
2-11A		50319102010	1	●	●	from 2006, J-01 50319202019 w/ label	
2-12	Switch Assembly	50310102005	1	□	□	till 2006 (N-03)	
2-12A		50319102009	1	●	●	from 2006, J-01	
2-13	Tip-Over Switch	50298202015	1	●	●		
2-14	Tip-Over Switch Cable	50310202017	1	●	●		
2-15	Step-Down Transformer	50300201005	1	●			
		50291201002	1		●		
2-16	Flame Monitor	50262102008	1	●	●	with 2-33 flame holder till 2006, N-03	
2-16A		50306101003	1	●	●	w/o flame holder from 2006, J-01	
2-17	Burner Control	50317202002	1		N/A	till 2004/05, 230V: changed to 50319202008 and 1.6A midget fuse(50291201006)	
		50329202003	1	●			
2-17A		50319202008	1		□	from 2005, N-01 to 2011, E-02 changed to 50319202033	
2-17B		50319202033	1		●	from 2012,D-01	
2-18	Fuse(3A)	50204201061	1		□	till 2004/05	
2-18A	Midget Fuse (3A)	50310202023	1	●		from 2005, N-01	
	Midget Fuse (1.6A)	50291201006	1		●	from 2005, N-01	

Part No.	PART NAME <BURNER>	CODE NO.	QTY /SET	PH1		REMARKS	Optimum Volume
				110V	230V		
2-19	Control Support	50229201037	4	●	●		
2-20	Fan Motor	50317202011	1	●			
		50319202004	1		●		
2-21	Ignition Device	50329202002	1	□		SI10-52 till 2005/06	
		50319202005	1		□	till 2005	
2-21A	Ignition Device	50312201004	1	●		from 2006	20pcs(55*42*18)
2-21B		50303201002	1		●	for N-02&03 (2005)	20pcs(55*42*18)
2-22	Power Cable	50319202022	1		●	from 2006, J-01	20pcs(55*42*18)
		50310202015	1	□		till 2006 changed to 50329202005	
		50329202005	1	●		from 2007, I-01 with mold plug & 2-23A	
2-22A	Power Cable	50319202002	1		N/A	till 2003	
2-22A		503192A2002	1		●	from 2004 P-01 with mold plug & 2-23, from 2006 J-01 with mold plug & 2-23A	
2-23A	Cable Stopper	50205201017	1	●	●	230V: from 2006 J-01	
2-23		502212A2028	1		●	till 2006, N-03 (HEYCO)	
2-24	Fuel Pump	50319202001	1		N/A	till 2004	
2-24A		50317202012	1	□		for 2005, N-01	12pcs(48*35*16)
2-24B		50319202007	1		N/A	for 2005, N-01	
		50317202015	1	●		from 2006, J-01 with 2-31	12pcs(48*35*16)
2-25	Fuel Outlet Line	50319202012	1		●	from 2006, N-02 with 2-31	12pcs(48*35*16)
2-25A		50310202010	1		□	till 2004	
2-25B		50317202013	1	□	□	for 2005, N-01	
2-25C	Fuel Outlet Line With Preheater	50319102014	1	●	●	230V: from 2006, N-02 to 2011, E-02 110V: from 2006, J-01	
2-26	Housing With Caution And Danger Stickers	50319102012	1		●	230V from 2012, D-01	
		50319102002	1	N/A	●	from 2012, D-01	
2-27	Noise Filter Assembly	50329102002	1	●	●	230V:till 2011, E-02	
2-28	Insulating Cap	50303201011	1	□	□	till 2006, N-03, discontinued from 2006, J-01	
2-29	Return Line	50291201016	2	●	●		
2-30	Pump Elbow	50319202015	1	●	●	230V: from 2006, N-02 110V from 2006, J-01	
2-31	Air Vent Valve	21300503-55	1	●	●	from 2006, N-02	
2-32	Thermostat Connector	21062003-67	(1)	●	●	from 2006, N-02	
*2-32A	Thermostat Connector	50306201007	1	●	●	from 2006, J-01 till 2013	
	With Pin	50306201019	1	●	●	from 2014 B-01	
2-33	Flame Monitor Holder	50262202029	1	●	●	from 2006, J-01	
*	Repair Set	50317180001		●			
*	(Nozzle Wrench, Fuse, Element, Nozzle 0.4G)	50319180001			●		
*	Shortplug	50306204001		●	●	supply from 2014	

*Not shown in drawing

210235



VAL6 PH1 TANK 2015. 2. 25

□-mark means that the parts supply period is over and there are limited numbers of stock.

Part No.	PART NAME <FUEL TANK>	CODE NO.	Q'TY /SET	PHI		REMARKS	Optimum Volume
				110V	230V		
3-1	Fuel Tank	50319103002	1		□	10ℓ including 3-2,3-3,3-7 till 2004	
3-1A		50317103007	1	N/A	N/A	Replace to 50319180002 10ℓ including 3-2,3-3,3-7 from 2005,N-01	
3-1B		50319180002	1	□	□	from 2015 till 2016, including 3-2, 3-3, 3-7 to 50319180A02	
		50319180A02	1	●	●	from 2017 including 3-2, 3-3, 3-7	
3-2	Filler Cap	50317103003	1	●	●		
3-3	Tank Inlet Filter	50263203028	1	●	●		
3-4	Suction Pipe Assembly	50310103004	1	□	□	till 2005	
3-4A		50317103011	1	●	●	from 2006(PH1:N-02)	
3-5	Float Switch Seal	50238203003	1	□	□	till 2005	
3-5A	Suction Return Packing	50317203013	1	●	●	from 2006(PH1:N-02)	
3-6	Filter Element	50317203004	1	●	●	15μ	100cs(35*35*27)
3-7	Fuel Gauge	50317103002	1	●	●	till 2016	
		50310203008	1	●	●	from 2017	
3-8	Stand	50317203007	1	●	●	from 2005,N-01	
3-9	Return Line	50317203014	1	●	●	from 2006,N-02	
3-10	Hose Clamp	50319202016	1	●	●	from 2006,N-02	

210235